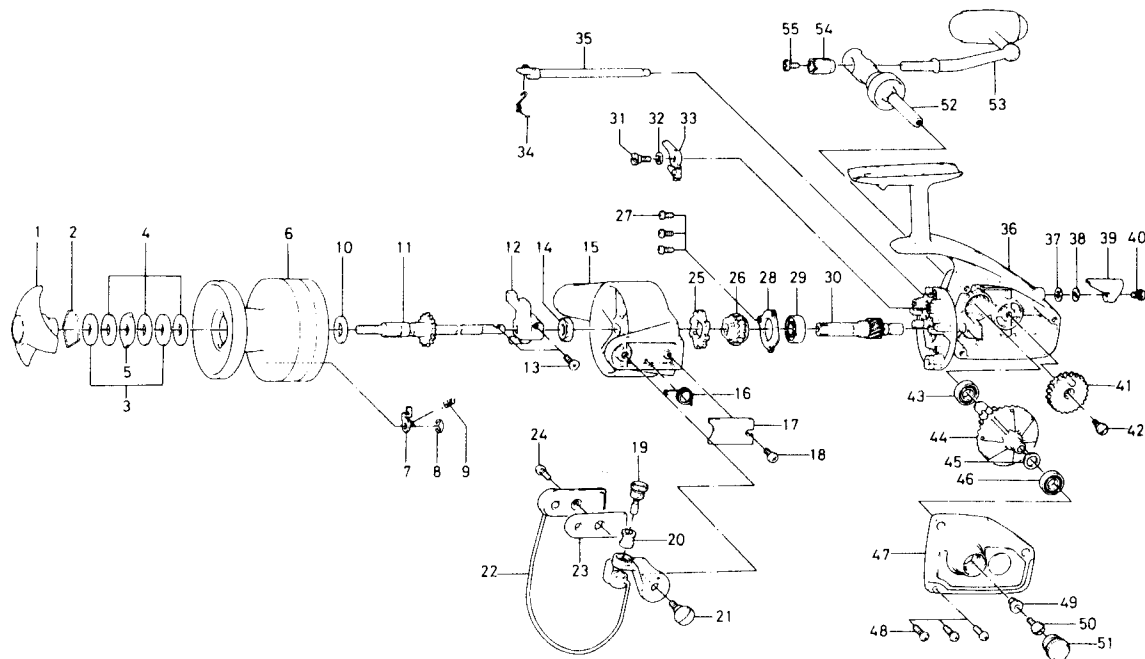


SPINNING REEL **GS-90**



KEY NO. 2 ~ 9
6-733-1603

SPOOL ASSEMBLY

KEY NO. 52 ~ 55
6-747-2302

HANDLE ASSEMBLY

Key No.	Parts No.	Parts Name
1	003-1805	Drag knob
2	170-4101	Drag washer retainer
3	372-3711	Drag D washer
4	372-3003	Disc washer
5	372-3832	Drag A washer
6	733-1704	Spool
7	B07-8201	Spool click claw
8	320-1402	Spool click claw retainer
9	145-2101	Spool click claw spring
10	372-9601	Spool washer
11	711-2211	Main shaft
12	480-7601	Oscillating slider
13	351-9001	Oscillating slider screw
14	340-8301	Rotor nut
15	201-9203	Rotor
16	145-0001	Bail spring
17	633-1311	Bail spring cover
18	351-6101	Bail spring cover screw
19	780-9101	Bail screw
20	250-2131	Line roller
21	361-7011	Arm lever screw
22	003-2002	Bail
23	210-2901	Balancer
24	351-6101	Bail holder screw
25	280-6701	Ratchet
26	270-8101	Click gear
27	351-6601	Ball bearing ret. washer screw
28	320-9501	Ball bearing ret. washer

Key No.	Parts No.	Parts Name
29	635-5001	Ball bearing
30	402-7011	Pinion gear
31	363-6501	Anti-reverse claw screw
32	375-5200	Anti-reverse claw washer
33	770-1301	Anti-reverse claw
34	144-0321	Anti-reverse cam spring
35	461-5103	Anti-reverse cam
36	701-1501	Body
37	373-2700	Anti-reverse lever washer A
38	372-9911	Anti-reverse lever washer B
39	540-5801	Anti-reverse lever
40	351-1801	Anti-reverse lever screw
41	750-0411	Oscillating gear
42	361-9011	Oscillating gear screw
43	636-6011	Ball bearing
44	413-5821	Drive gear
45	371-2800	Drive gear washer
46	636-6011	Ball bearing
47	706-4904	Body cover
48	351-8801	Body cover screw
49	501-8401	Handle screw holder
50	363-8611	Handle screw
51	363-4702	Handle screw cap
52	747-2502	Handle stand
53	747-3511	Handle arm
54	342-3101	Handle arm ret. nut
55	353-9101	Handle arm ret. nut screw