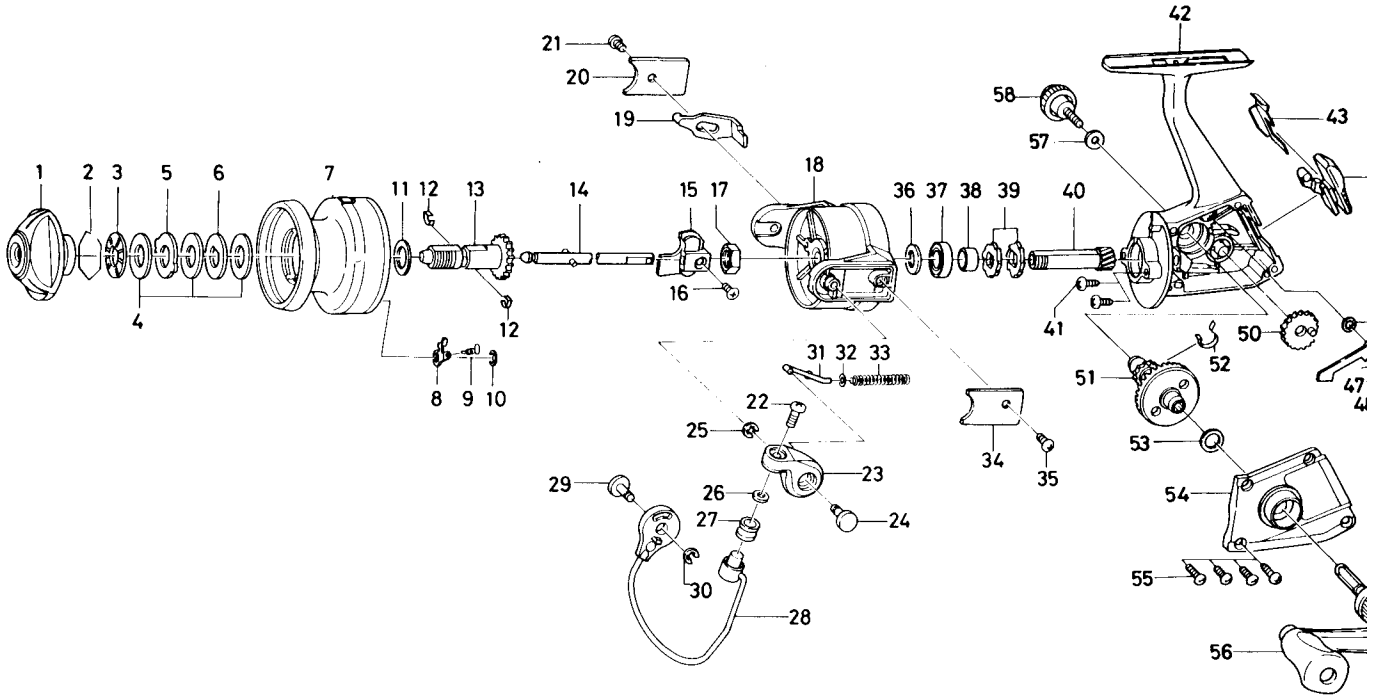


SPINNING REEL GS16UL



Key No. 2-13
E16-3301 Spool assembly (Deep Spool)

Key No.	Parts No.	Parts Name	Key No.	Parts No.	Parts Name
1	E16-2501	Drag knob	30	320-5901	Bail arm screw retainer
2	171-7701	Drag washer retainer	31	E11-5801	Bail spring shaft
3	E15-4101	Drag washer A	32	E11-5901	Bail spring washer
4	E14-3301	Drag washer B	33	E22-4501	Bail spring
5	373-3603	Eared washer	34	E20-2101	Bail spring cover
6	374-4802	Key washer	35	B83-4401	Bail spring cover screw
7	E16-3401	Spool (Deep spool)	36	375-8501	Bail kick cam screw
8	B07-5302	Click pawl	37	637-5701	Ball bearing
9	144-1211	Click spring	38	E16-1101	Spacer
10	320-5901	Click retainer	39	E11-3501	Anti-reverse ratchet
11	E12-3501	Spool washer	40	E16-1001	Pinion gear
12	151-7211	Spool metal leaf spring	41	E03-7801	Bearing retainer screw
13	720-1721	Spool metal	42	E16-2901	Body
14	E16-1401	Main shaft	43	B79-0101	Anti-reverse cam
15	E16-1301	Oscillating slider	44	E13-9101	Anti-reverse lever
16	351-0311	Oscillating block screw	45	E15-3101	Anti-reverse pawl washer
17	341-9201	Rotor nut	46	E16-0901	Anti-reverse pawl
18	E20-1801	Rotor assembly	47	E13-9401	Anti-reverse pawl spring
19	E20-2601	Bail trip lever	48	E03-3001	Anti-reverse pawl collar
20	E20-2401	Bail trip cover	49	B00-8601	Anti-reverse pawl screw
21	B83-4401	Bail trip cover screw	50	B74-2501	Oscillating gear
22	B67-9303	Line roller screw	51	E20-2701	Drive gear
23	E20-1901	Bail arm	52	E13-9802	Drag adjusting leaf spring
24	E20-2001	Bail arm screw	53	375-8500	Drive gear washer
25	320-5901	Bail arm screw retainer	54	E16-3101	Side cover
26	B55-4301	Line roller washer	55	E13-0502	Side cover screw
27	250-3921	Line roller	56	E16-4701	Handle assembly
28	E20-2201	Bail	57	E20-8901	Handle lock washer
29	E20-2001	Bail arm screw	58	E00-1805	Handle lock screw