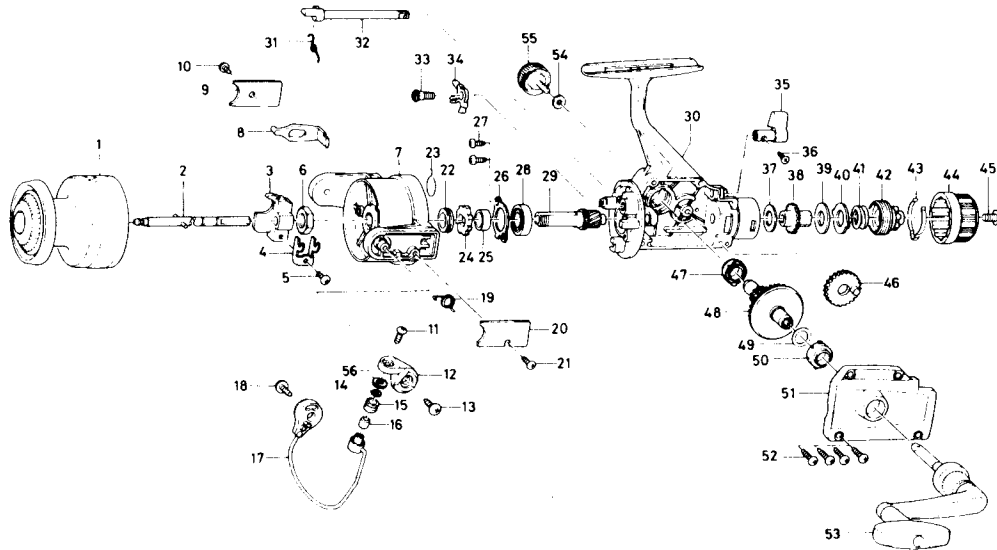


SPINNING REEL **GS1650/2050**



Key No.	Parts No.	Parts Name
1	E00-4401	Spool
2	B83-9801	Main shaft
3	B64-0102	Oscillating slider
4	B49-2501	Oscillating slider retainer
5	351-1804	Oscillating slider screw
6	340-8301	Rotor nut
7	B82-2002	Rotor
8	B83-6701	Bail trip lever
9	B76-9703	Bail trip cover
10	B83-4402	Bail trip cover screw
11	B67-9302	Line roller screw
12	B68-1102	Bail arm
13	B84-2102	Bail arm screw
14	B55-4301	Line roller washer A
15	250-3921	Line roller
16	B45-1501	Line roller bushing
17	B84-0003	Bail
18	B84-2102	Bail trip cam screw
19	B18-7702	Bail spring
20	B77-2202	Bail spring cover
21	B83-4402	Bail spring cover screw
22	501-9901	Spring holder
23	145-0901	Anti-reverse pawl spring
24	280-9001	Anti-reverse ratchet
25	B83-6201	Spacing sleeve
26	B35-6301	Bearing retainer
27	B83-4402	Bearing retainer screw
28	636-6011	Ball bearing
29	B83-6101	Pinion gear
30	E00-2303	Body
31	144-0321	Anti-reverse cam spring
32	B83-6001	Anti-reverse cam
33	B83-6301	Anti-reverse pawl screw

Key No.	Parts No.	Parts Name
34	B74-5501	Anti-reverse pawl
35	B63-8101	Anti-reverse lever
36	B12-8201	Anti-reverse lever screw
37	B46-9504	Drag washer A
38	B76-9803	Click gear
39	373-3710	Drag washer B
40	B83-9501	Eared washer
41	B98-2901	Drag coil spring
42	B77-0004	Drag screw
43	B77-0301	Drag washer spring
44	B83-9601	Drag knob
45	352-1105	Drag knob spring screw
46	B74-3701	Oscillating gear
47	B84-3901	Bushing
48	B83-6801	Drive gear
49	373-7800	Drive gear washer
50	B84-3901	Bushing
51	E00-2403	Side cover
52	B83-5002	Side cover screw
53	E00-2501	Handle
54	B92-4901	Handle lock washer
55	E00-1801	Handle lock screw
56	B97-9801	Line roller washer B

GS2050 Special Parts		
1	E00-4501	Spool
7	B82-2202	Rotor
8	B83-7301	Bail trip lever
17	B84-0401	Bail
30	E00-2304	Body
51	E00-2404	Side cover
53	E00-2801	Handle