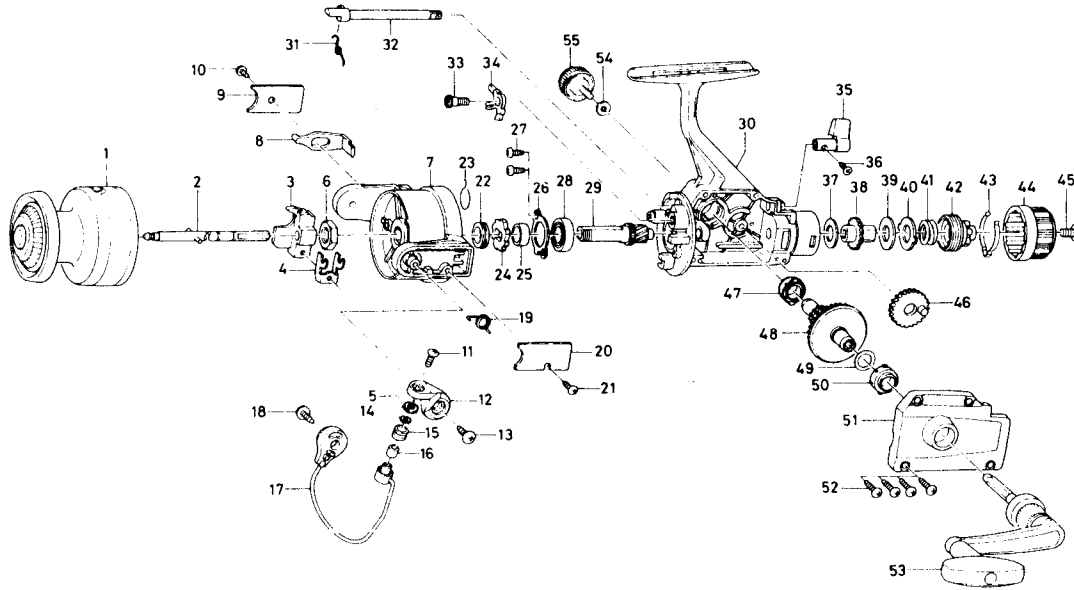


SPINNING REEL GS1650



Key No.	Parts No.	Parts Name	Key No.	Parts No.	Parts Name
1	E08-6502	Spool*	29	B83-6101	Pinion gear
2	B83-9801	Main shaft	30	E08-6901	Body*
3	E08-7801	Oscillating slider	31	144-0321	Anti-reverse cam spring
4	B93-7202	Oscillating slider retainer	32	B83-6001	Anti-reverse cam
5	B97-9801	Line roller washer B	33	B83-6301	Anti-reverse pawl screw
6	B10-5701	Rotor nut	34	B74-5501	Anti-reverse pawl
7	B82-2001	Rotor	35	E08-6101	Anti-reverse lever
8	B83-6701	Bail trip lever	36	B12-8201	Anti-reverse lever screw
9	B76-9703	Bail trip cover	37	B46-9504	Drag washer A
10	B83-4402	Bail trip cover screw	38	B76-9803	Click gear
11	B67-9302	Line roller screw	39	373-3710	Drag washer B
12	B68-1102	Bail arm	40	B83-9501	Eared washer
13	B84-2102	Bail arm screw	41	B98-2901	Drag coil spring
14	B55-4301	Line roller washer A	42	B77-0004	Drag screw
15	250-3921	Line roller	43	B77-0301	Drag washer spring
16	B45-1501	Line roller bushing	44	B83-9604	Drag knob
17	B84-0003	Bail	45	352-1105	Drag knob spring screw
18	B84-2102	Bail trip cam screw	46	B74-3701	Oscillating gear
19	B18-7702	Bail spring	47	B84-3901	Bushing
20	B77-2202	Bail spring cover	48	B83-6801	Drive gear
21	B83-4402	Bail spring cover screw	49	373-7800	Drive gear washer
22	501-9901	Spring holder	50	B84-3901	Bushing
23	145-0901	Anti-reverse pawl spring	51	E08-6202	Side cover*
24	280-9001	Anti-reverse ratchet	52	B83-5002	Side cover screw
25	B83-6201	Spacing sleeve	53	E00-2502	Handle
26	B35-6301	Bearing retainer	54	B92-4902	Handle lock washer
27	B83-4402	Bearing retainer screw	55	B92-5001	Handle lock screw
28	636-6011	Ball bearing			

* 1986 Reel Model