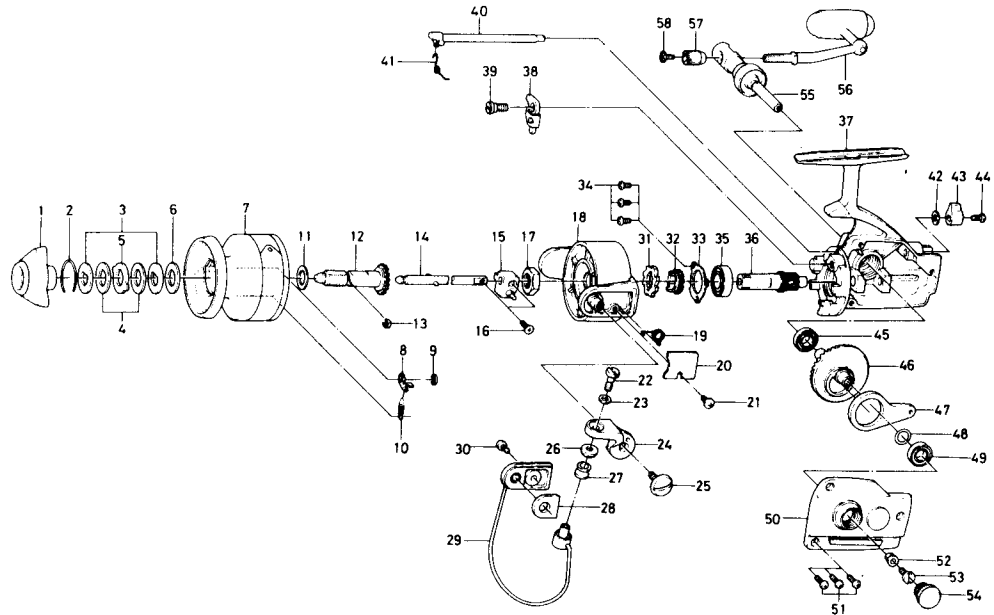


SPINNING REEL

GS-15



KEY NO. 1 ~ 13  
6-806-0401

**SPOOL ASSEMBLY**

KEY NO. 55 ~ 58  
6-747-2703

**HANDLE ASSEMBLY**

Key No.	Parts No.	Parts Name
1	740-3801	Drag knob
2	170-4601	Drag washer retainer
3	374-4802	Drag D washer
4	373-3701	Disc washer
5	373-3603	Drag A washer
6	373-3704	Drag washer A
7	733-5404	Spool
8	B07-5301	Spool click claw
9	320-5902	Spool click claw retainer
10	145-2101	Spool click claw spring
11	375-5701	Spool washer
12	720-1721	Spool metal
13	151-7211	Spool metal leaf spring
14	711-2912	Main shaft
15	637-0102	Oscillating support
16	351-5311	Oscillating slider screw
17	340-8301	Rotor nut
18	202-0202	Rotor
19	144-4912	Bail spring
20	634-1501	Bail spring cover
21	351-1801	Bail spring cover screw
22	353-1811	Bail screw
23	375-1001	Bail washer
24	231-1711	Arm lever
25	363-5201	Arm lever screw
26	501-1601	Roller collar
27	250-4221	Line roller
28	210-3701	Balancer
29	725-6012	Bail

Key No.	Parts No.	Parts Name
30	351-6601	Bail holder screw
31	280-7901	Ratchet
32	270-8402	Click gear
33	321-0201	Ball bearing ret. washer
34	351-0901	Ball bearing ret. washer screw
35	635-4801	Ball bearing
36	403-0201	Pinion gear
37	701-1202	Body
38	770-1601	Anti-reverse claw
39	363-7101	Anti-reverse claw screw
40	461-5712	Anti-reverse cam
41	144-0321	Anti-reverse cam spring
42	371-6903	Anti-reverse lever washer
43	541-6201	Anti-reverse lever
44	353-4401	Anti-reverse lever screw
45	637-5701	Ball bearing
46	413-9011	Drive gear
47	481-2101	Oscillating slider
48	375-8500	Drive gear washer
49	637-5701	Ball bearing
50	706-7702	Body cover
51	351-7801	Body cover screw
52	501-8501	Handle screw holder
53	363-8511	Handle screw
54	B03-4803	Handle screw cap
55	747-2601	Handle stand
56	747-2902	Handle arm
57	342-3011	Handle arm ret. nut
58	353-0701	Handle arm ret. nut screw