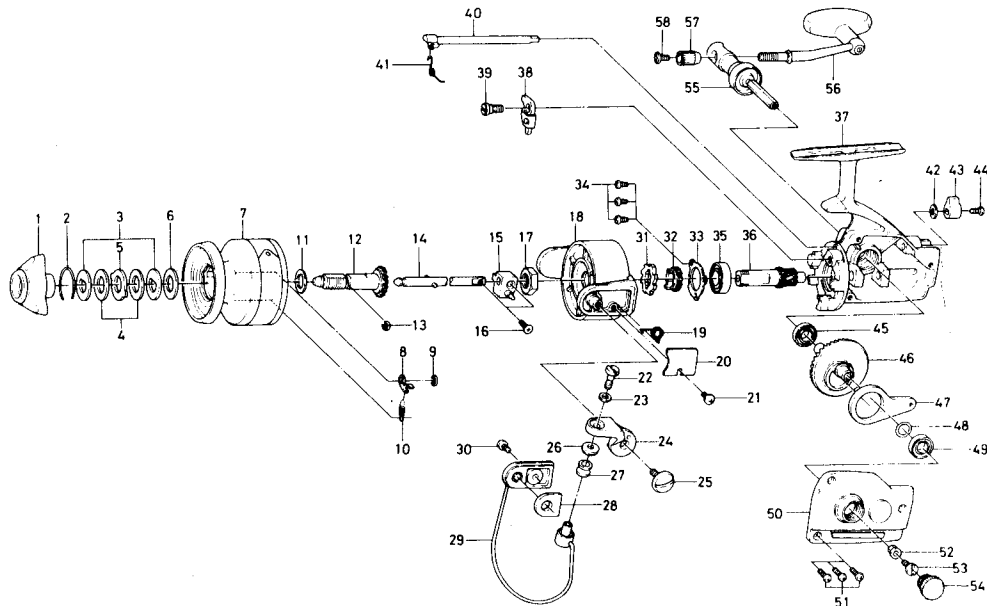


SPINNING REEL

GS-13



KEY NO. 1 ~ 13  
6-B06-0201

SPOOL ASSEMBLY

KEY NO. 55 ~ 58  
6-747-1802

HANDLE ASSEMBLY

Key No.	Parts No.	Parts Name	Key No.	Parts No.	Parts Name
1	740-3311	Drag knob	30	351-6601	Bail holder screw
2	170-4601	Drag washer retainer	31	280-7901	Ratchet
3	374-4802	Drag D washer	32	270-8402	Click gear
4	373-3701	Disc washer	33	321-0201	Ball bearing ret. washer
5	373-3603	Drag A washer	34	351-0901	Ball bearing ret. washer screw
6	373-3704	Drag washer A	35	635-4801	Ball bearing
7	733-5004	Spool	36	403-0201	Pinion gear
8	B07-5301	Spool click claw	37	701-1201	Body
9	320-5902	Spool click claw retainer	38	770-1601	Anti-reverse claw
10	145-2101	Spool click claw spring	39	363-7101	Anti-reverse claw screw
11	375-5701	Spool washer	40	461-5712	Anti-reverse cam
12	720-1721	Spool metal	41	144-0321	Anti-reverse cam spring
13	151-7211	Spool metal leaf spring	42	371-6903	Anti-reverse lever washer
14	711-2912	Main shaft	43	541-6201	Anti-reverse lever
15	637-0102	Oscillating support	44	353-4401	Anti-reverse lever screw
16	351-5311	Oscillating slider screw	45	637-5701	Ball bearing
17	340-8301	Rotor nut	46	413-9011	Drive gear
18	202-0102	Rotor	47	481-2101	Oscillating slider
19	144-4912	Bail spring	48	375-8500	Drive gear washer
20	634-1501	Bail spring cover	49	637-5701	Ball bearing
21	351-1801	Bail spring cover screw	50	706-7701	Body cover
22	353-1811	Bail screw	51	351-7801	Body cover screw
23	375-1001	Bail washer	52	501-8501	Handle screw holder
24	231-1711	Arm lever	53	363-8511	Handle screw
25	363-5201	Arm lever screw	54	B03-4803	Handle screw cap
26	501-1601	Roller collar	55	747-2601	Handle stand
27	250-4221	Line roller	56	747-1901	Handle arm
28	210-3701	Balancer	57	342-3011	Handle arm ret. nut
29	725-6012	Bail	58	353-0701	Handle arm ret. nut screw