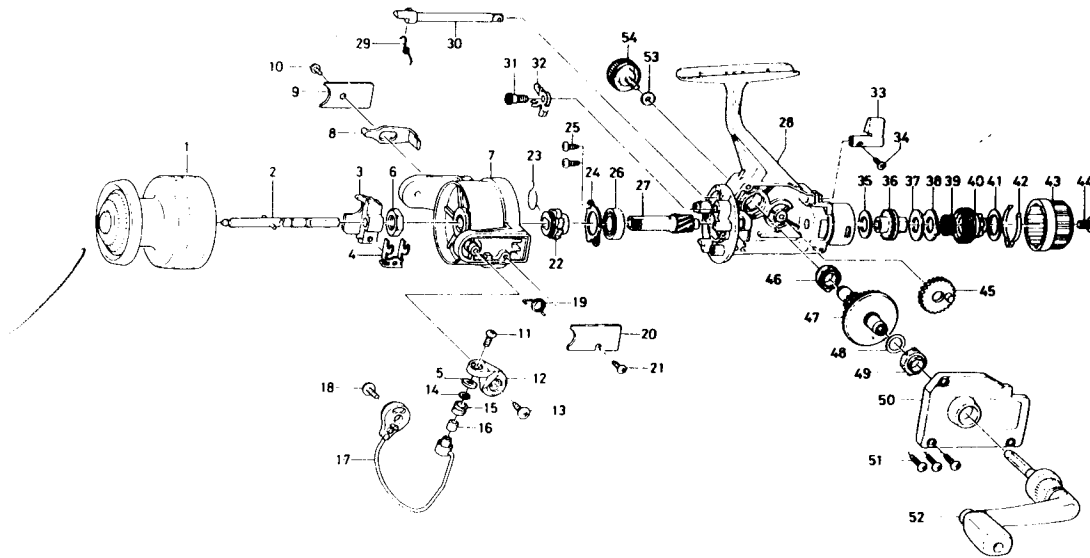


SPINNING REEL GS1050/1350



Key No.	Parts No.	Parts Name
1	E00-3001	Spool
2	B83-4501	Main shaft
3	B97-9601	Oscillating slider
4	B97-9701	Oscillating slider retainer
5	B97-9801	Line roller washer A
6	B67-9401	Rotor nut
7	B81-8402	Rotor
8	B83-4301	Bail trip lever
9	B74-7303	Bail trip cover
10	B83-4402	Bail trip cover screw
11	B67-9302	Line roller screw
12	B68-1102	Bail arm
13	B84-2102	Bail arm screw
14	B55-4301	Line roller washer B
15	250-3921	Line roller
16	B45-1501	Line roller bushing
17	B84-1503	Bail
18	B84-2102	Bail trip cam screw
19	B18-7702	Bail spring
20	B45-0902	Bail spring cover
21	B83-4402	Bail spring cover screw
22	B61-8001	Anti-reverse ratchet
23	145-0501	Anti-reverse pawl spring
24	B45-6401	Bearing retainer
25	B83-4402	Bearing retainer screw
26	637-5701	Ball bearing
27	B83-3501	Pinion gear
28	E00-1403	Body
29	B44-8501	Anti-reverse cam spring
30	B44-8401	Anti-reverse cam
31	B61-8101	Anti-reverse pawl screw

Key No.	Parts No.	Parts Name
32	B90-3001	Anti-reverse pawl
33	B83-3401	Anti-reverse lever
34	B12-8201	Anti-reverse lever screw
35	B48-9901	Drag washer A
36	B83-3602	Click gear
37	B76-0501	Drag washer B
38	B49-0102	Eared washer
39	B92-6702	Drag coil spring
40	B74-7603	Drag screw
41	B90-8201	Drag washer C
42	B74-7702	Drag washer spring
43	B82-5505	Drag knob
44	352-1105	Drag knob spring screw
45	B74-2501	Oscillating gear
46	B84-3901	Bushing
47	B83-4701	Drive gear
48	373-7800	Drive gear washer
49	B84-3901	Bushing
50	E00-1503	Side cover
51	B83-5002	Side cover screw
52	E00-1601	Handle
53	B92-4901	Handle lock washer
54	C00-1801	Handle lock screw

GS1350 Special Parts

1	E00-3101	Spool
7	B81-8602	Rotor
8	B83-5701	Bail trip lever
17	B84-1803	Bail
28	E00-1404	Body
50	E00-1504	Side cover