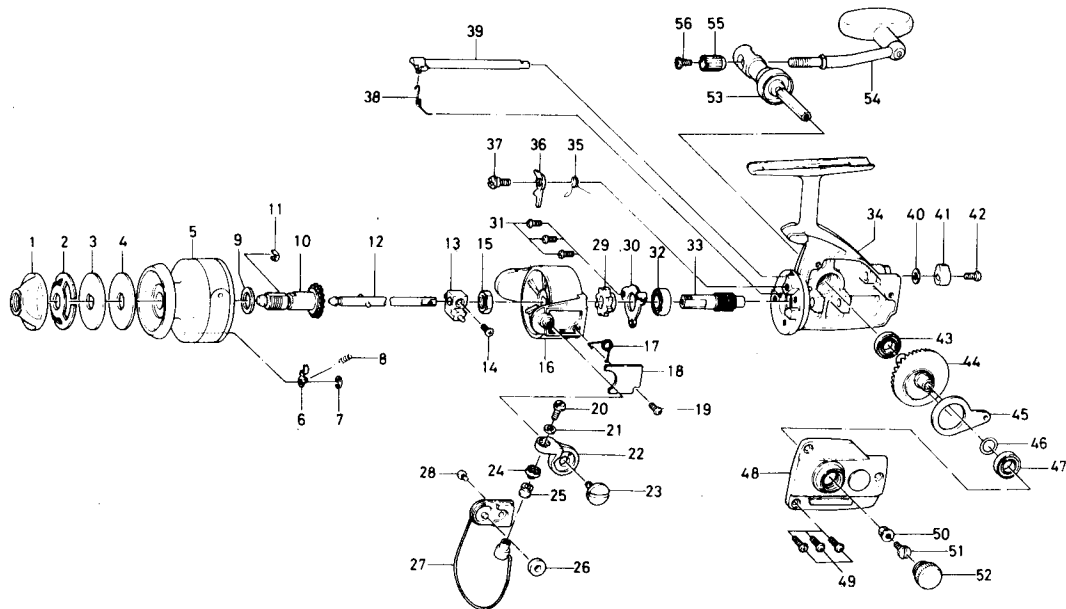


SPINNING REEL

GS-10



KEY NO. 1 ~ 11
6-733-8102

SPOOL ASSEMBLY

KEY NO. 53 ~ 56
6-747-2202

HANDLE ASSEMBLY

Key No.	Parts No.	Parts Name	Key No.	Parts No.	Parts Name
1	441-5301	Drag knob	29	280-7402	Ratchet
2	151-7301	Drag spring washer	30	320-9901	Ball bearing ret. washer
3	375-6001	Drag D washer	31	351-0901	Ball bearing ret. washer screw
4	375-5902	Disc washer	32	636-6401	Ball bearing
5	733-4704	Spool	33	403-0101	Pinion gear
6	B07-5301	Spool click claw	34	701-1402	Body
7	320-5902	Spool click claw retainer	35	144-3711	Anti-reverse claw spring
8	145-2101	Spool click claw spring	36	111-6301	Anti-reverse claw
9	375-5701	Spool washer	37	363-4201	Anti-reverse claw screw
10	720-1331	Spool metal	38	144-3611	Anti-reverse cam spring
11	151-7211	Spool metal leaf spring	39	461-5622	Anti-reverse cam
12	711-2413	Main shaft	40	371-6903	Anti-reverse lever washer
13	636-7602	Oscillating support	41	541-6201	Anti-reverse lever
14	351-0311	Oscillating slider screw	42	353-4401	Anti-reverse lever screw
15	341-9201	Rotor nut	43	637-5701	Ball bearing
16	201-9802	Rotor	44	413-8911	Drive gear
17	144-3821	Bail spring	45	481-1801	Oscillating slider
18	041-1512	Bail spring cover	46	375-8500	Drive gear washer
19	351-0901	Bail spring cover screw	47	637-5701	Ball bearing
20	363-4411	Bail screw	48	706-8001	Body cover
21	375-4301	Bail washer	49	351-1101	Body cover screw
22	231-2501	Arm lever	50	501-8501	Handle screw holder
23	363-4301	Arm lever screw	51	363-8511	Handle screw
24	501-4411	Roller collar	52	B03-4803	Handle screw cap
25	250-1921	Line roller	53	747-3201	Handle stand
26	210-6401	Balancer	54	747-3101	Handle arm
27	725-7102	Bail	55	342-3011	Handle arm ret. nut
28	352-0401	Bail holder screw	56	353-0701	Handle arm ret. nut screw