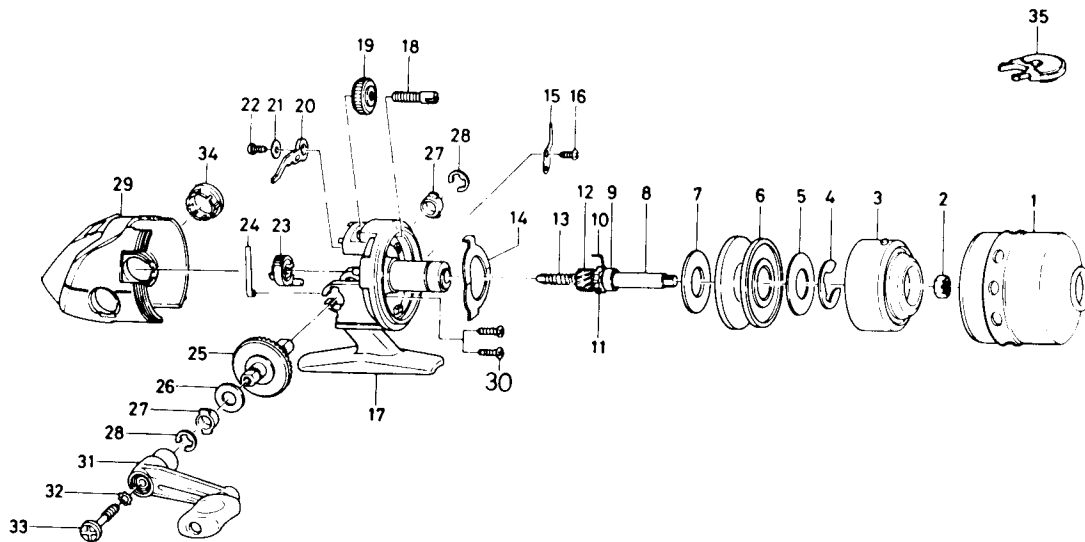


## SPINCASTING REEL G80A/100A



Key No.	Parts No.	Parts Name	key No.	Parts No.	Parts Name
1	K06-1101	Front cover	23	K00-1101	Anti-reverse-lever
2	B55-4001	Rotor nut	24	K00-1201	Anti-reverse-lever spring
3	K03-8602	Rotor	25	K00-2901	Drive gear
4	320-0351	Spool retainer	26	370-9900	Drive gear washer
5	370-0412	Drag washer	27	K00-7001	Bushing
6	B61-2005	Spool	28	B01-3101	Bushing retainer
7	370-0412	Drag washer	29	K05-9101	Side cover
8	K06-0001	Main shaft	30	K05-3401	Side cover screw
9	K00-2601	Ball bearing	31	K00-1301	Handle assembly
10	K00-2701	Anti-reverse pawl spring	32	160-8101	Handle lock washer
11	K00-2801	Anti-reverse ratchet	33	K00-5901	Handle lock screw
12	402-6401	Pinion gear	34	K00-0601	Handle screw cap
13	142-7712	Main shaft spring	35	K00-2201	Line snubber
14	151-6501	Drag plate			
15	030-6001	Click pawl			
16	B93-3001	Click pawl screw			
17	K05-9501	Body			
18	K06-2801	Drag Screw			
19	B60-9202	Dial			
20	K00-0901	Anti-reverse pawl			
21	K00-1001	Anti-reverse pawl washer			
22	B93-3001	Anti-reverse pawl screw			

G100A Special Parts		
1	K06-3201	Front cover
3	K00-4006	Rotor
6	B61-0304	Spool
17	K06-3001	Body
29	K06-3301	Side cover
30	K06-2701	Side cover screw