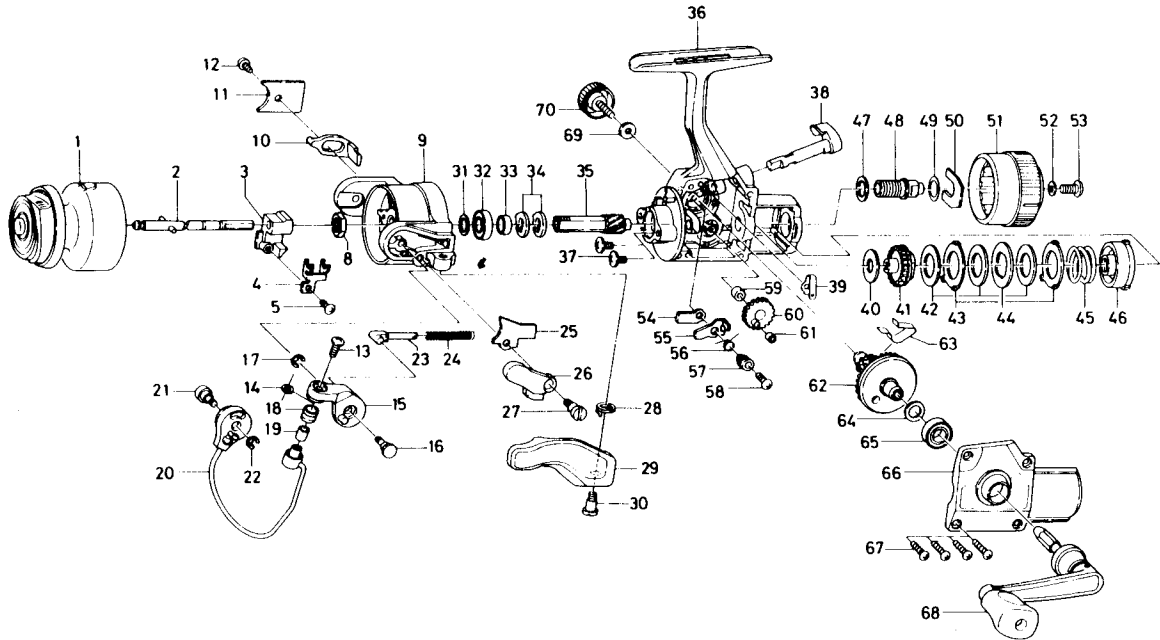


# SPINNING REEL G1055TH



Key No.	Parts No.	Parts Name	Key No.	Parts No.	Parts Name
1	E38-3701	Spool assembly	37	E03-7801	Bearing retainer screw
	E38-7501	Spool assembly (Extra Spool)	38	E21-3002	Anti-reverse lever
2	E21-4401	Main shaft assembly	39	B58-8601	Anti-reverse cam spring
3	E21-4601	Oscillating slider	40	E21-4801	Drag washer A
4	E21-4701	Oscillating slider retainer	41	E21-4901	Click gear
5	351-0903	Oscillating slider screw	42	E21-5001	Drag washer B
8	341-9201	Rotor nut	43	E21-5101	Eared washer
9	E21-3304	Rotor	44	E21-5201	Key washer
10	B83-5701	Bail trip lever	45	E21-5301	Drag coil spring
11	B74-7303	Bail trip cover	46	E27-0801	Drag nut
12	B83-4401	Bail trip cover screw	47	E21-5401	Drag screw washer A
13	B67-9302	Line roller screw	48	E34-8101	Drag screw
14	B55-4301	Line roller washer	49	373-7810	Drag screw washer B
15	E21-3601	Bail arm	50	E21-5703	Drag screw retainer
16	E21-3701	Bail arm screw	51	E23-3902	Drag knob
17	320-5901	Bail arm screw retainer	52	375-1001	Drag knob washer
18	250-3921	Line roller	53	353-8203	Drag knob screw
19	B45-1501	Line roller bushing	54	E21-8901	Anti-reverse pawl plate
20	E38-3501	Bail assembly	55	B95-9402	Anti-reverse pawl
21	B83-4201	Bail trip cam screw	56	E36-2301	Anti-reverse pawl spring A
22	320-5901	Bail trip cam screw retainer	57	E15-6101	Anti-reverse pawl collar
23	E21-3501	Bail spring shaft	58	B00-8601	Anti-reverse pawl screw
24	E21-3401	Bail spring	59	E23-4801	Oscillating gear collar A
25	E21-3801	Bail spring cover	60	E21-4101	Oscillating gear
26	B67-4901	Trigger plate	61	E21-4201	Oscillating gear collar B
27	B68-8802	Bail spring cover screw	62	F01-8701	Drive gear
28	B67-5201	Trigger spring	63	E21-4301	Anti-reverse pawl spring B
29	B67-5105	Trigger lever	64	375-8500	Drive gear washer
30	B68-8802	Trigger screw	65	634-1301	Ball bearing B
31	375-8505	Bearing washer	66	E38-3601	Side cover
32	634-1301	Ball bearing A	67	E15-8601	Side cover screw
33	B99-4501	Spacing sleeve	68	E38-5701	Handle assembly
34	E21-3201	Anti-reverse ratchet	69	E20-8901	Handle lock washer
35	F01-8601	Pinion gear	70	E00-1804	Handle lock screw
36	E38-3401	Body assembly			