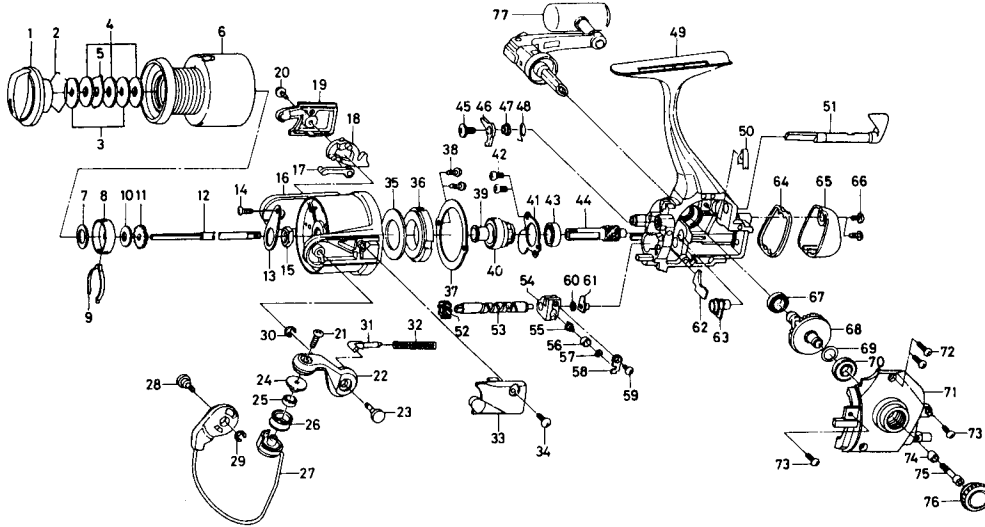


SPINNING REEL EMBLEM-Z3500i/4000i



Key Parts No.
No.

Key Parts No.	Parts Name
2-6	F31-8201 Spool assembly
1	F20-4603 Drag knob
2	170-4101 Drag washer retainer
3	E27-7801 Key washer
4	B36-0204 Drag washer
5	372-3832 Eared washer
6	F31-8301 Spool assembly
7	E39-7901 Spool washer
8	E12-2302 Click leaf spring holder
9	B74-7702 Spool click leaf spring
10	375-4202 Main shaft washer
11	E41-3101 Click gear
12	F18-5801 Main shaft
13	F18-9601 Rotor nut holding plate
14	B93-3001 Rotor nut holding plate screw
15	B10-5701 Rotor nut
16	F31-7301 Rotor
17	F08-0702 Bail trip plate
18	F01-4401 Bail trip lever
19	F18-2808 Bail trip cover
20	E33-0402 Bail trip cover screw
21	B67-9306 Line roller screw
22	F17-6506 Bail arm
23	F15-2501 Bail arm screw
24	F06-6301 Line roller collar
25	F05-5601 Ball bearing A
26	F31-4701 Line roller
27	F31-7401 Bail assembly
28	F15-2501 Bail trip cam screw
29	320-5901 Bail trip cam screw retainer
30	320-5901 Bail arm screw retainer
31	F24-6801 Bail spring shaft
32	E39-0601 Bail spring
33	F18-2508 Bail spring cover
34	E24-8101 Bail spring cover screw
35	F19-7302 Oiled washer
36	F18-2901 Roller clutch
37	F18-3001 Roller clutch retainer
38	E15-7502 Roller clutch retainer screw
39	F18-1301 Spacing sleeve
40	F18-1401 Anti-reverse ratchet
41	F18-1201 Bearing retainer

Key No.

Key No.	Parts No.
42	B83-4402
43	635-4801
44	F26-5101
45	L00-1801
46	F18-1801
47	F18-1701
48	F37-4501
49	F31-7201
50	E32-7801
51	F18-1007
52	E42-0501
53	F30-7802
54	E37-6301
55	E19-1202
56	E19-1301
57	375-0801
58	E37-6901
59	E40-1501
60	B53-6102
61	F05-6901
62	E48-2801
63	E48-2701
64	F18-3406
65	F18-3506
66	E36-4202
67	B86-1701
68	E41-8603
69	373-7802
70	E15-4001
71	F18-2304
72	E15-8602
73	E15-7502
74	F18-3701
75	F38-7101
76	F18-3903
77	F31-7501

Parts Name

Parts Name
Bearing retainer screw
Ball bearing B
Pinion gear
Anti-reverse pawl screw
Anti-reverse pawl
Anti-reverse pawl collar
Anti-reverse pawl spring
Body assembly
Anti-reverse cam spring
Anti-reverse lever
Worm shaft gear
Worm shaft
Oscillating slider
Oscillating pawl
Oscillating pawl bush
Oscillating pawl washer
Oscillating slider cover
Oscillating slider cover screw
Worm shaft washer
Worm shaft collar
Shield plate
Pinion collar
Water shield
Rear cover
Rear cover screw
Ball bearing C
Drive gear
Drive gear washer
Ball bearing D
Side cover
Side cover screw A
Side cover screw B
Handle collar
Handle screw
Handle screw cap
Handle assembly

Z4000i Special parts

Key No.	Parts No.	Parts Name
2-6	F31-8601	Spool assembly
6	F31-8701	Spool assembly
16	F31-8401	Rotor
27	F31-8501	Bail assembly