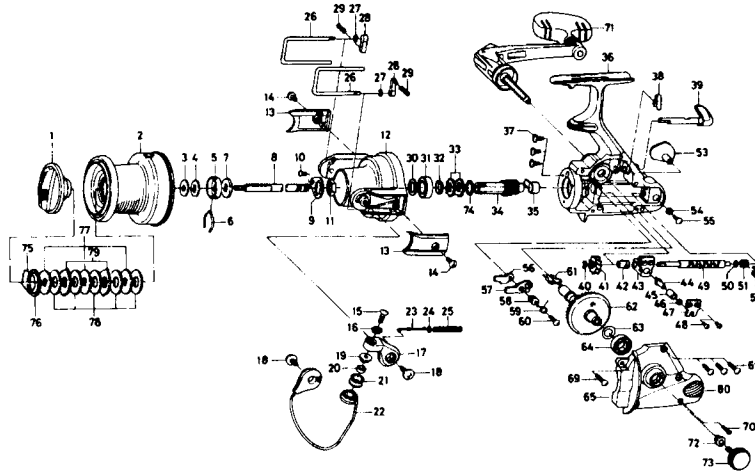


SPINNING REEL EMBLEM EM-X4500H/EM-X5000H



Key No.	Parts No.	Parts Name	Key No.	Parts No.	Parts Name
1	E53-0001	Drag knob	49	E39-5201	Worm shaft
2,75-79	F30-0401	Spool assembly	50	375-4101	Worm shaft washer
2	F30-0601	Spool assembly	51	E19-1101	Worm shaft collar
3	E39-9201	Spool washer A	52	F07-6901	Worm shaft retainer
4	F04-3401	Spool washer B	53	F30-0104	Rear cover A
5	F20-4001	Click leaf spring holder	54	E15-3101	Rear cover washer
6	B74-7701	Spool click leaf spring	55	E33-0402	Rear cover screw A
7	E26-7501	Main shaft washer	56	E26-1901	Anti-reverse pawl plate
8	F38-9501	Main shaft	57	F38-5201	Anti-reverse pawl
9	E33-3801	Rotor nut holding plate	58	E26-2101	Anti-reverse pawl collar
10	E15-7502	Rotor nut holding plate screw	59	E26-2901	Anti-reverse pawl spring A
11	B43-7605	Rotor nut	60	B83-5002	Anti-reverse pawl screw
12	F36-1101	Rotor	61	E26-4501	Anti-reverse pawl spring B
13	E39-6309	Bail spring cover	62	E39-5301	Drive gear
14	E10-7402	Bail spring cover screw	63	371-2821	Drive gear washer
15	E45-4004	Line roller screw	64	B54-6001	Ball bearing C
16	160-9401	Lock washer	65	F38-8301	Side cover
17	E45-3803	Bail arm	69	B00-9701	Side cover screw A
18	E00-7602	Bail arm screw	70	E15-8602	Side cover screw B
19	F08-8301	Line roller collar	71	F03-6301	Handle assembly
20	F05-5601	Ball bearing A	72	501-8401	Handle collar
21	F05-8901	Line roller	73	Z00-3767	Handle lock screw
22	E53-3501	Bail assembly	74	372-7603	Spacer
23	E32-6701	Bail spring shaft	75	170-4101	Drag washer retainer
24	E31-3901	Bail spring washer	76	F03-9701	Drag plate
25	E39-5901	Bail spring	77	F03-5101	Key washer
26	E39-6102	Line guard shaft	78	B36-0207	Drag washer
27	B33-9801	Line guard retainer	79	372-3832	Eared washer
28	E39-6201	Line guard plate	80	F30-0204	Rear Cover B
29	F06-3301	Line guard spring			
30	372-7603	Bearing washer			
31	637-6101	Ball bearing B			
32	F03-5001	Spacing sleeve			
33	F04-3501	Anti-reverse ratchet			
34	E39-0202	Pinion gear			
35	E33-2101	Pinion collar			
36	F30-0001	Body assembly			
37	E03-7801	Bearing retainer screw			
38	E32-7801	Anti-reverse cam spring			
39	F03-5407	Anti-reverse lever			
40	320-5901	Worm shaft gear retainer			
41	E39-0301	Worm shaft gear			
42	E39-3501	Worm shaft bush			
43	E39-5101	Oscillating slider			
44	E26-4101	Oscillating pawl			
45	E26-4201	Oscillating pawl bush			
46	375-0801	Oscillating pawl washer			
47	E26-4301	Oscillating slider cover			
48	352-1502	Oscillating slider cover screw			

EM-X5000H Special Parts

2, 75-79	F30-0501	Spool assembly
2	F30-0701	Spool assembly
12	F36-1201	Rotor
22	E53-3601	Bail assembly
36	F30-0301	Body assembly
65	F38-8501	Side cover