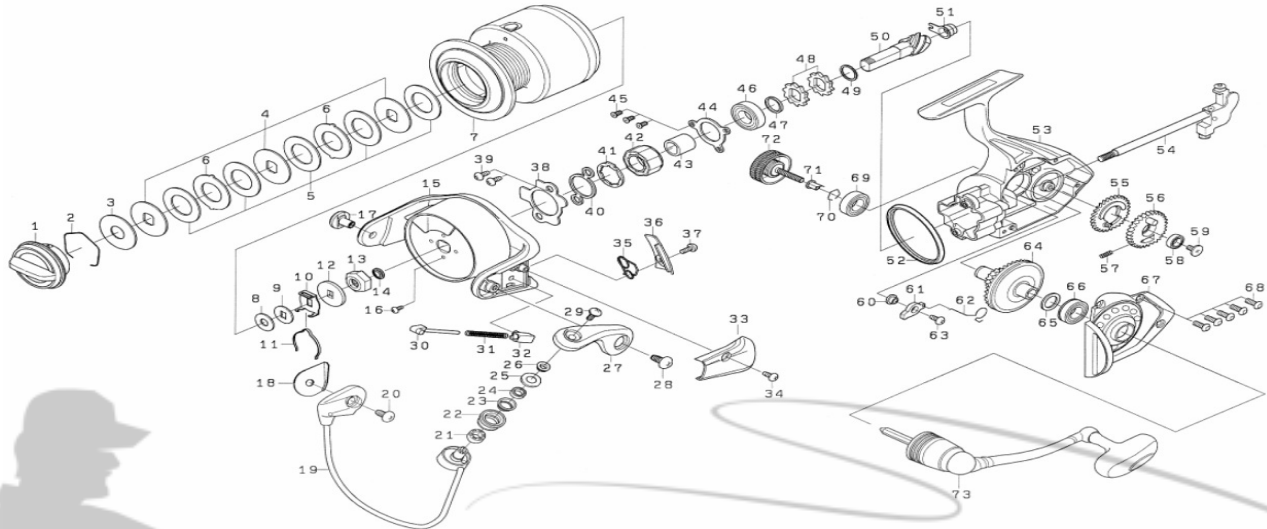


Please order by parts number, not key number
 Veuillez indiquer le numéro de la pièce (Non "Key" No.)



EXCELER 5000T/6000T/6500T



Key No. Parts No. Parts Name

| | | |
|----|----------|--------------------------|
| 1 | H31-2701 | Drag knob |
| 2 | F88-4001 | Drag washer retainer |
| 3 | H38-0901 | Drag washer (A) |
| 4 | H17-5101 | Key washer |
| 5 | F75-5504 | Drag washer (B) |
| 6 | G70-0701 | Eared washer |
| 8 | F05-0100 | Spool washer (A) |
| 9 | F05-0002 | Spool washer (B) |
| 10 | H32-3701 | Click leaf spring holder |
| 11 | G34-1401 | Spool click leaf spring |
| 12 | F04-9901 | Spool washer (C) |
| 13 | H05-0001 | Rotor nut |
| 14 | H05-0101 | Collar (A) |
| 15 | H32-4401 | Rotor |
| 16 | E49-2001 | Screw (A) |
| 17 | H32-5001 | Bail holder nut |
| 18 | H32-4801 | Bail plate |
| 19 | H32-5101 | Bail assembly |
| 20 | 351-6105 | Screw (B) |
| 21 | H03-5502 | Collar (B) |
| 22 | H24-6103 | Line roller |
| 23 | G74-0601 | Collar (C) |
| 24 | G37-0905 | Ball bearing (A) |
| 25 | G74-0501 | Packing |
| 26 | H27-1201 | Collar (D) |
| 27 | H33-9601 | Bail arm |
| 28 | 352-1106 | Screw (C) |
| 29 | F60-8901 | Screw (D) |
| 30 | H32-4701 | Bail spring shaft |
| 31 | G41-8101 | Bail spring |
| 32 | G33-7501 | Bail spring holder |
| 33 | H32-5401 | Bail spring cover |
| 34 | 352-2510 | Screw (E) |
| 35 | G33-7601 | Rotor brake spring |
| 36 | H32-4901 | Rotor brake spring cover |
| 37 | 352-2510 | Screw (F) |
| 38 | H24-4202 | Roller clutch retainer |
| 39 | 351-6101 | Screw (G) |

Key No. Parts No. Parts Name

| | | |
|-----|----------|-------------------------|
| 40 | H24-4001 | Clutch cam retainer |
| 41 | H24-7601 | Clutch cam |
| 42 | G31-4501 | Roller clutch |
| 43 | H17-2703 | Spacing sleeve |
| 44 | H24-4501 | Bearing retainer (A) |
| 45 | G55-7101 | Screw (H) |
| 46 | G42-6301 | Ball bearing (B) |
| 47 | H24-3901 | Collar (E) |
| 48 | E26-2701 | Ratchet |
| 49 | E33-9701 | Washer (A) |
| 50 | H32-3601 | Pinion gear |
| 51 | H32-3501 | Collar (F) |
| 52 | G33-7101 | Brake ring |
| 53 | H32-2501 | Body assembly |
| 54 | H32-3203 | Main shaft |
| 55 | H32-3101 | Oscillating gear (A) |
| 56 | H32-3001 | Oscillating gear (B) |
| 57 | G15-7401 | Oscillating gear spring |
| 58 | B86-1704 | Ball bearing (C) |
| 59 | H34-7101 | Screw (I) |
| 60 | H24-3301 | Collar (G) |
| 61 | H33-9401 | Anti-reverse pawl |
| 62 | H24-4401 | Spring |
| 63 | 351-6401 | Screw (J) |
| 64 | H32-4101 | Drive gear |
| 65 | 371-2800 | Washer (B) |
| 66 | F24-0001 | Ball bearing (D) |
| 67 | H32-4201 | Side cover |
| 68 | G16-0101 | Screw (K) |
| 69 | G52-2802 | Ball bearing (E) |
| 70 | H04-7201 | Bearing retainer (B) |
| 71 | F40-9001 | Collar (H) |
| 72 | H05-1301 | Handle screw |
| 73 | H32-5601 | Handle assembly |
| 2~7 | H34-5601 | Spool assembly (5000T) |
| 2~7 | H32-6101 | Spool assembly (6000T) |
| 2~7 | H34-5901 | Spool assembly (6500T) |