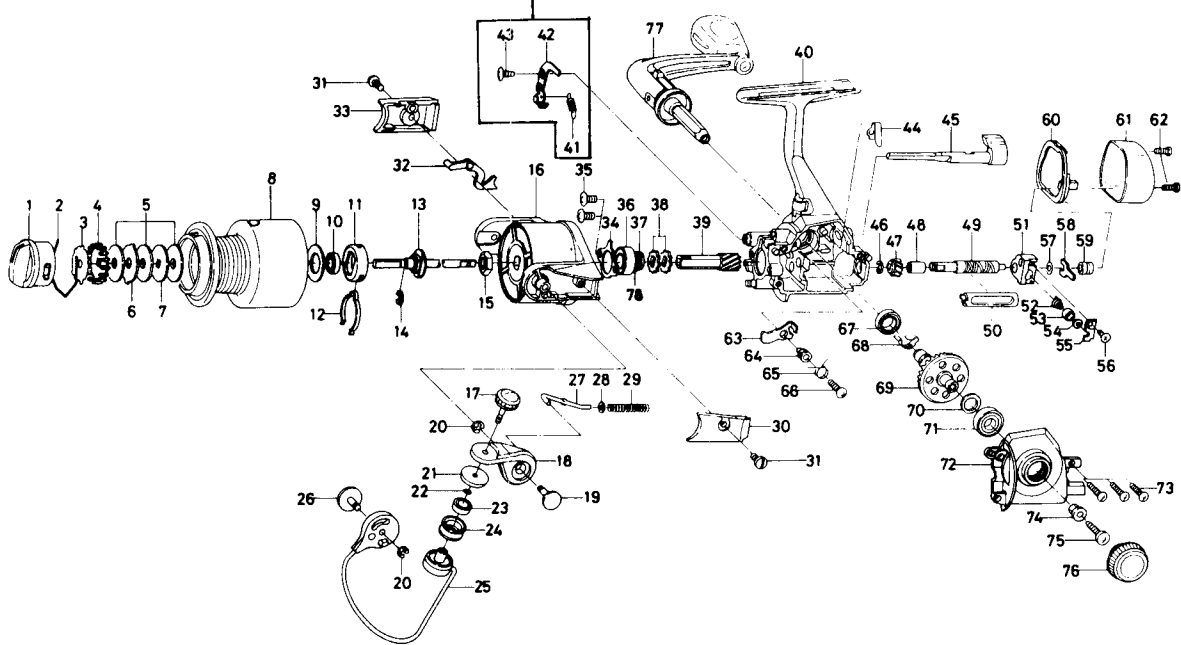


SPINNING REEL — EX600

※ These parts are not assembled in silent anti-reverse model.



Key No. 2-8
F03-3901 Spool assembly Price 77.50

Key No.	Part No.	Part Name	Price
1	F03-3801	Drag knob	26.40
2	F44-2501	Drag washer retainer	.70
3	F03-3201	Click plate washer	1.15
4	E13-6301	Drag knob click plate	2.50
5	E13-6001	Drag washer	.70
6	E13-6201	Eared washer	.70
7	E13-6102	Key washer	.80
8	F03-4001	Spool assembly	N/A
9	F06-2701	Spool washer	1.40
10	B35-8601	Ball bearing A	8.00
11	E12-2301	Click leaf spring holder	1.80
12	B74-7702	Spool click leaf spring	.45
13	F03-3501	Main shaft assembly	9.00
14	320-1402	Ball bearing retainer	.55
15	341-9204	Rotor nut	1.95
16	F05-9601	Rotor assembly	28.00
17	F01-5001	Line roller screw	6.50
18	F03-0701	Bail arm	2.30
19	F01-3501	Bail arm screw	2.50
20	320-5901	Bail arm screw retainer	.50
21	F01-4901	Line roller collar	2.85
22	B85-3101	"O" ring	.60
23	F05-5601	Ball bearing B	9.25
24	F06-3201	Line roller	37.80
25	F03-0901	Bail	9.30
26	F05-9801	Bail trip cam screw	2.85
27	F03-1101	Bail spring shaft	2.30
28	E11-5901	Bail spring washer	.60
29	F03-1201	Bail spring	.70
30	F03-0501	Bail spring cover	4.60
31	F01-3701	Bail spring cover screw	1.95
32	F03-0801	Bail trip lever	2.55
33	F03-0601	Bail trip cover	4.60
34	F03-2901	Bearing retainer	.70
35	351-1801	Bearing retainer screw	.45
36	636-6401	Ball bearing C	8.25
37	E29-6101	Spacer	.70
38	E27-1501	Anti-reverse ratchet	.75

Key No.	Part No.	Part Name	Price
39	F05-3601	Pinion gear	10.80
40	F06-6602	Body	45.00
44	E26-8701	Anti-reverse cam spring	.60
45	F01-2708	Anti-reverse lever	7.20
46	B33-9801	Worm shaft gear retainer	.35
47	E39-3001	Worm shaft gear	6.50
48	E29-6501	Worm shaft bush	.80
49	F03-0401	Worm shaft	8.40
50	F03-2801	Worm shield cover	4.80
51	F01-1004	Oscillating slider	3.95
52	E12-2403	Oscillating pawl	4.95
53	E12-4601	Oscillating pawl bush	2.10
54	375-0800	Oscillating pawl washer	.40
55	E11-6801	Oscillating slider cover	.80
56	E15-0203	Oscillating slider cover screw	.70
57	375-4101	Worm shaft washer	.30
58	E29-6701	Worm shaft retainer	.80
59	E29-6601	Worm shaft collar	2.35
60	F03-3101	Water shield	1.15
61	F03-2002	Rear cover	54.00
62	F01-6301	Rear cover screw	1.10
63	E27-1301	Anti-reverse pawl	1.15
64	B95-9501	Anti-reverse pawl collar	.95
65	B95-9602	Anti-reverse pawl spring A	.60
66	351-6401	Anti-reverse pawl screw	.45
67	F01-6401	Ball bearing D	9.20
68	E29-6901	Anti-reverse pawl spring B	1.40
69	F05-5701	Drive gear	16.50
70	375-8502	Drive gear washer	.35
71	636-6401	Ball bearing C	8.25
72	F03-4101	Left side cover	18.50
73	351-1101	Side cover screw	.45
74	501-8501	Handle collar	.70
75	F04-5001	Handle screw	5.10
76	F01-7301	Handle screw cap	9.25
77	F03-3601	Handle assembly	29.60
78	375-8500	Bearing washer	.45