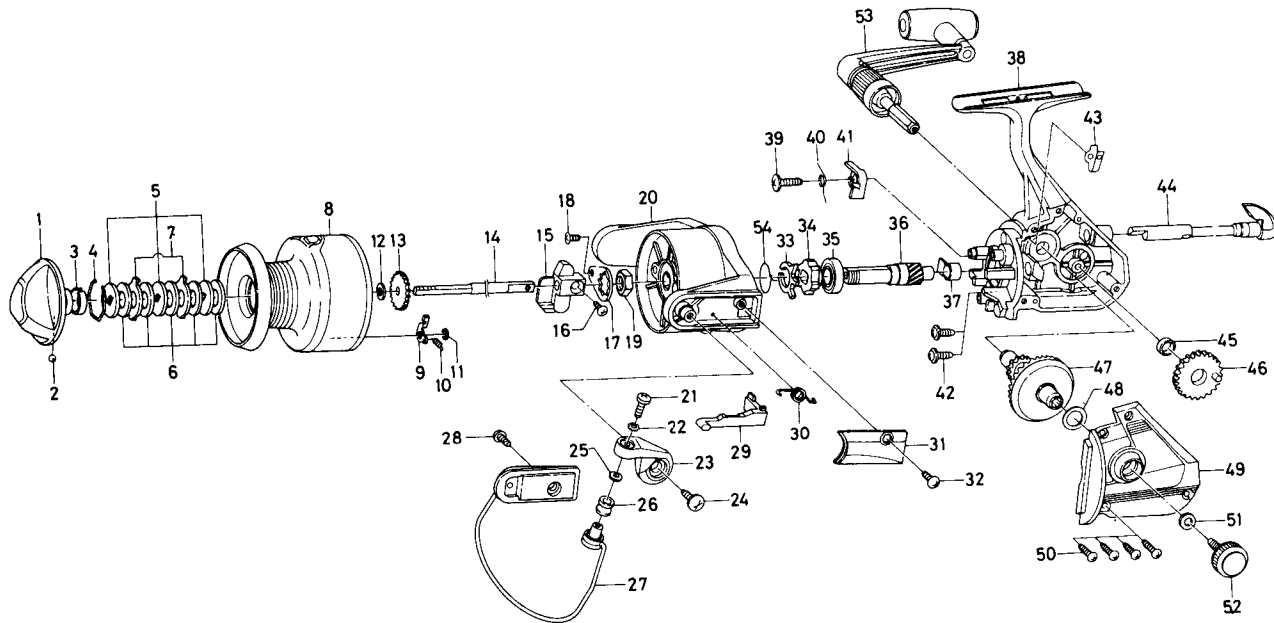


SPINNING REEL EL9000X



No. 4-11 L13-6501

Spool Assembly

Key No.	Parts No.	Parts Name	Key No.	Parts No.	Parts Name
1	E50-9701	Drag knob	28	L01-1701	Bail trip cam screw
2	635-4701	Click ball	29	L11-7301	Bail trip lever
3	E32-8701	Click leaf spring	30	L06-7001	Bail spring
4	171-7701	Drag washer retainer	31	L11-5601	Bail spring cover
5	L03-1301	Key washer	32	E36-4201	Bail spring cover screw
6	373-3712	Drag washer	33	L07-0701	Anti-reverse pawl spring A
7	B89-9501	Eared washer	34	L09-1701	Anti-reverse ratchet
8	L13-6601	Spool assembly	35	L03-6401	Ball bearing
9	B07-8201	Click pawl	36	L11-4401	Pinion gear
10	145-2101	Click spring	37	L00-6001	Pinion collar
11	320-1402	Click retainer	38	L13-6002	Body assembly
12	L11-9001	Spool washer	39	L06-6501	Anti-reverse pawl screw
13	L11-8501	Click gear	40	L06-6401	Anti-reverse pawl spring B
14	L11-9501	Main shaft	41	L07-8601	Anti-reverse pawl
15	L11-4801	Oscillating slider	42	L01-1601	Bearing retainer screw
16	351-8901	Oscillating slider screw	43	E01-1801	Anti-reverse cam spring
17	B02-1601	Rotor nut holding plate	44	L10-0709	Anti-reverse lever
18	L01-1702	Rotor nut holding plate screw	45	647-4101	Oscillating gear collar
19	340-8301	Rotor nut	46	L11-4701	Oscillating gear
20	L11-7207	Rotor	47	L07-1701	Drive gear
21	353-9702	Line roller screw	48	371-2800	Drive gear washer
22	160-8101	Lock washer	49	L13-6202	Side cover
23	L10-5001	Bail arm	50	B83-5001	Side cover screw
24	E00-7602	Bail arm screw	51	L02-2301	Handle washer
25	373-4501	Line roller washer	52	L00-9101	Handle lock screw
26	250-4221	Line roller	53	L01-2901	Handle assembly
27	L13-3501	Bail assembly	54	F21-2001	Anti-reverse pawl spring C