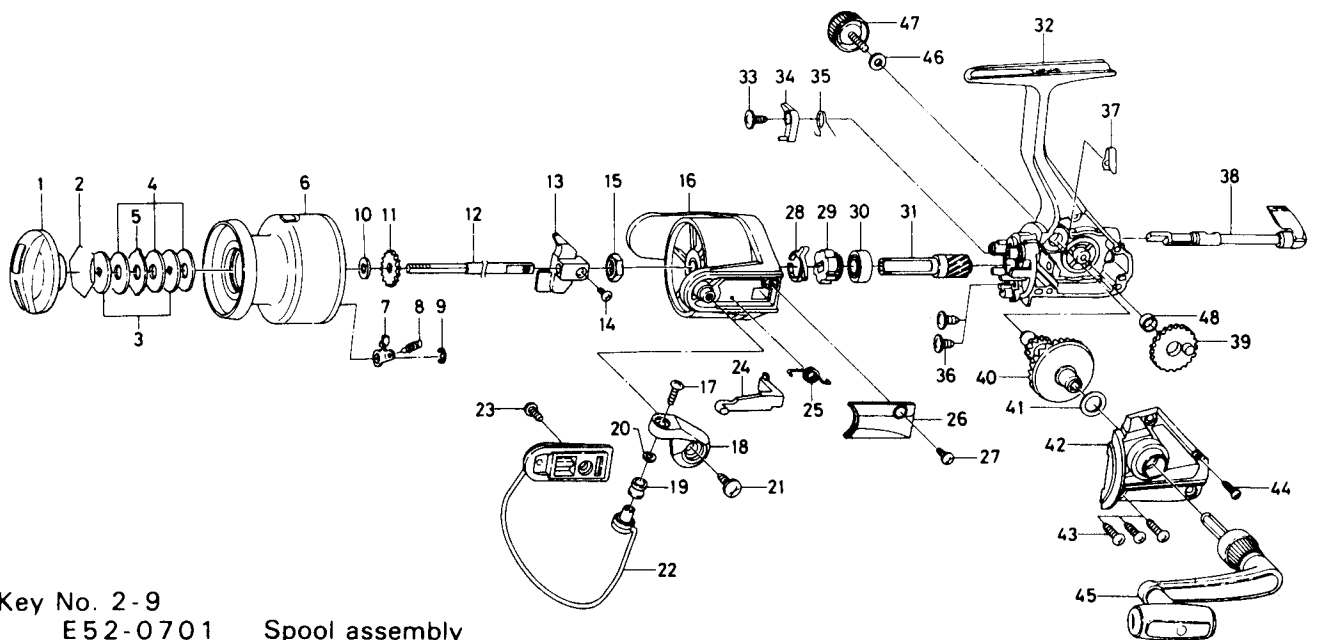


# SPINNING REEL — EL2000X



Key No. 2-9  
E52-0701 Spool assembly

Key No.	Parts No.	Parts Name	Key No.	Parts No.	Parts Name
1	E50-4702	Drag knob	25	F12-8901	Bail spring
2	171-7701	Drag washer retainer	26	E46-2201	Bail spring cover
3	F09-4901	Key washer	27	E36-4201	Bail spring cover screw
4	E13-6003	Drag washer	28	E46-2001	Anti-reverse pawl spring A
5	373-3603	Eared washer	29	E46-1901	Anti-reverse ratchet
6	E52-0801	Spool assembly	30	L03-6502	Ball bearing
7	B07-5304	Click pawl	31	E52-0101	Pinion gear
8	E40-3101	Click spring	32	F17-0402	Body assembly
9	320-5901	Click retainer	33	E00-7101	Anti-reverse pawl screw
10	F09-4701	Spool washer	34	E46-1302	Anti-reverse pawl
11	E46-2701	Click gear	35	E46-1201	Anti-reverse pawl spring B
12	E48-5301	Main shaft	36	E03-7801	Bearing retainer screw
13	F09-1301	Oscillating slider	37	E32-7801	Anti-reverse cam spring
14	352-1502	Oscillating block screw	38	F08-5115	Anti-reverse lever
15	340-6602	Rotor nut	39	E46-1501	Oscillating gear
16	F10-7204	Rotor	40	E52-0201	Drive gear
17	B67-9305	Line roller screw	41	373-7800	Drive gear washer
18	E45-1701	Bail arm	42	F19-3902	Side cover
19	L01-8201	Line roller	43	B83-5001	Side cover screw A
20	B55-4301	Line roller washer	44	E15-8601	Side cover screw B
21	E00-7102	Bail arm screw	45	L01-1102	Handle assembly
22	F16-3701	Bail assembly	46	B92-4902	Handle lock washer
23	L01-1701	Bail trip cam screw	47	B92-5002	Handle lock screw
24	E46-3101	Bail trip lever	48	F13-1601	Oscillating gear collar