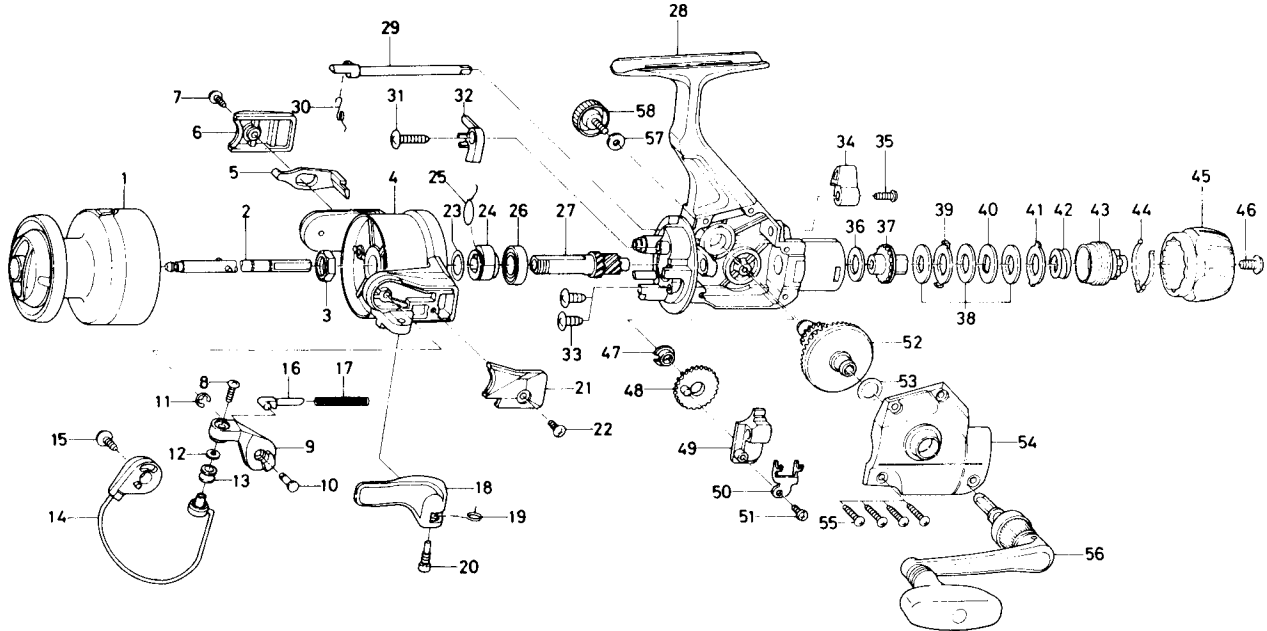


SPINNING REEL — EL1655H / 2055H



Key

Key No.	Part No.	Part Name	Price
1	K09-4601	Spool assembly	8.00
2	K09-3801	Main shaft	2.10
3	B10-5701	Rotor nut	.65
4	K09-2801	Rotor	4.75
5	B83-6701	Bail trip lever	1.25
6	K09-3301	Bail trip cover	.60
7	K07-1501	Bail trip cover screw	.50
8	B67-9303	Line roller screw	.45
9	F03-6901	Bail arm	1.20
10	F03-7101	Bail arm screw	1.00
11	320-5901	Bail arm screw retainer	.50
12	B55-4301	Line roller washer	.40
13	L01-8201	Line roller	.90
14	K09-3101	Bail	3.50
15	B84-2101	Bail trip cam screw	.50
16	E21-3501	Bail spring shaft	.40
17	K11-0301	Bail spring	.55
18	F03-7001	Trigger lever	2.50
19	E36-9901	Trigger spring	.70
20	E37-0001	Trigger screw	1.50
21	K09-3001	Bail spring cover	.60
22	K07-1501	Bail spring cover screw	.50
23	K09-7001	Rotor washer	.50
24	K09-1801	Anti-reverse ratchet	.70
25	K09-7101	Anti-reverse pawl spring	.60
26	B54-6001	Ball bearing	7.70
27	K09-1501	Pinion gear	4.15
28	K09-5701	Body	6.60
29	K09-1301	Anti-reverse cam	.65
30	144-0321	Anti-reverse cam spring	.50
31	K09-2001	Anti-reverse pawl screw	.55
32	K09-1901	Anti-reverse pawl	.95
33	K50-0601	Bearing retainer screw	.50

Key

Key No.	Part No.	Part Name	Price
34	K09-1401	Anti-reverse lever	.95
35	353-4402	Anti-reverse lever screw	.60
36	B46-9505	Drag washer A	.45
37	B76-9803	Click gear	.70
38	E14-3301	Drag washer B	.65
39	K05-0301	Eared washer A	.55
40	E02-4401	Key washer	.60
41	B83-9501	Eared washer B	.55
42	B98-2901	Drag coil spring	.70
43	B77-0004	Drag screw	.95
44	B77-0301	Drag washer spring	.45
45	K09-2501	Drag knob	1.35
46	352-1107	Drag knob screw	.55
47	K09-3401	Oscillating gear collar	1.00
48	B74-3701	Oscillating gear	.70
49	K09-3501	Oscillating slider	.80
50	K09-4001	Oscillating slider retainer	.60
51	351-0903	Oscillating block screw	.45
52	K09-3601	Drive gear	2.60
53	373-7802	Drive gear washer	.45
54	K09-6401	Side cover	2.60
55	K08-7801	Side cover screw	.60
56	K09-4301	Handle assembly	7.85
57	K09-7301	Handle lock washer	.45
58	B92-5001	Handle lock screw	.80

EL2055H Special Parts:

1	K09-4701	Spool assembly	8.50
4	K09-2901	Rotor	4.95
5	B83-7301	Bail trip lever	1.30
14	K09-5501	Bail	3.75
28	K09-6001	Body	6.60
54	K09-6701	Side cover	2.60