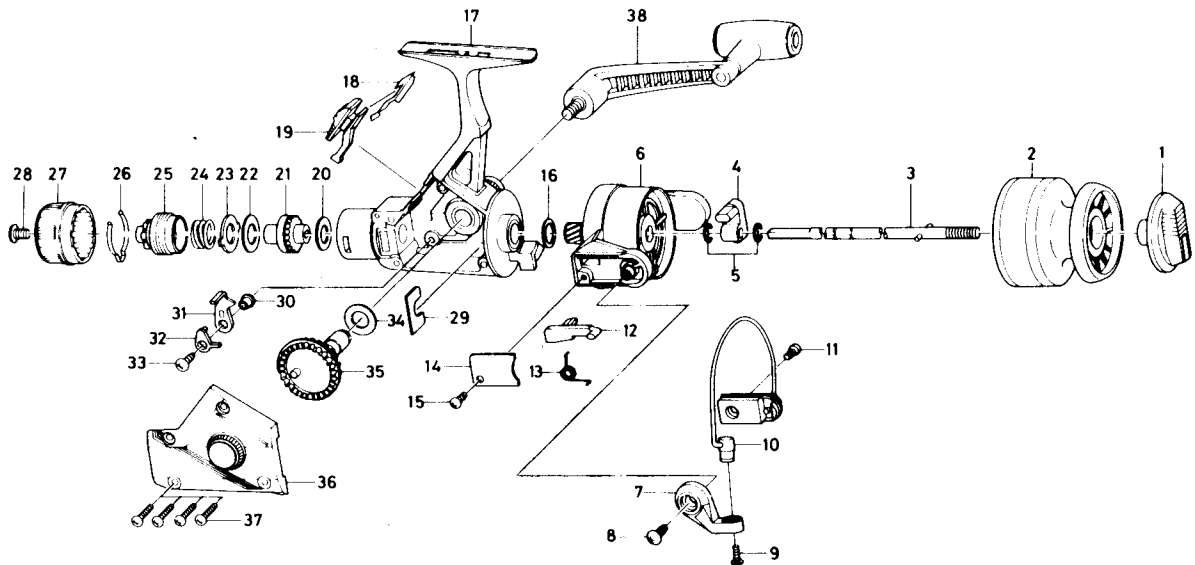


SPINNING REEL DS 1350/1650



Key No.	Parts No.	Parts Name	Key No.	Parts No.	Parts Name
1	L50-3601	Spool cap.	25	B77-0003	Drag screw
2	L50-3301	Spool assembly	26	B77-0301	Drag washer spring
3	L50-2301	Main shaft assembly	27	L04-4202	Drag knob
4	L50-2201	Oscillating slider	28	352-1105	Drag knob screw
5	320-7601	Oscillating slider retainer	29	632-6601	Pinion retainer
6	L50-1101	Rotor assembly	30	L50-4701	Anti-reverse pawl collar
7	L50-1301	Bail arm	31	B92-0101	Anti-reverse pawl
8	L00-2602	Bail arm screw	32	B50-1201	Anti-reverse pawl plate
9	B67-9301	Line roller screw	33	L00-1801	Anti-reverse pawl screw
10	L50-1601	Bail	34	370-7500	Drive gear washer
11	L01-1702	Bail trip cover screw	35	L50-2101	Drive gear
12	L50-1401	Bail trip lever	36	L50-2501	Side cover
13	B91-6501	Bail spring	37	L50-4601	Side cover screw
14	L50-1501	Bail spring cover	38	L50-2901	Handle assembly
15	L01-1702	Bail spring cover screw			
16	372-8600	Rotor washer			
17	L50-0601	Body			
18	B79-0101	Anti-reverse lever spring			
19	L50-0901	Anti-reverse lever			
20	B46-9505	Drag washer A			
21	B76-9801	Click gear			
22	B78-6601	Drag washer B			
23	B83-9501	Eared washer			
24	B91-3701	Drag coil spring			
			DS1650 Special Parts		
			2	L50-3901	Spool assembly
			6	L50-4101	Rotor assembly
			10	L50-3701	Bail
			12	L50-4301	Bail trip lever
			36	L50-2502	Side cover