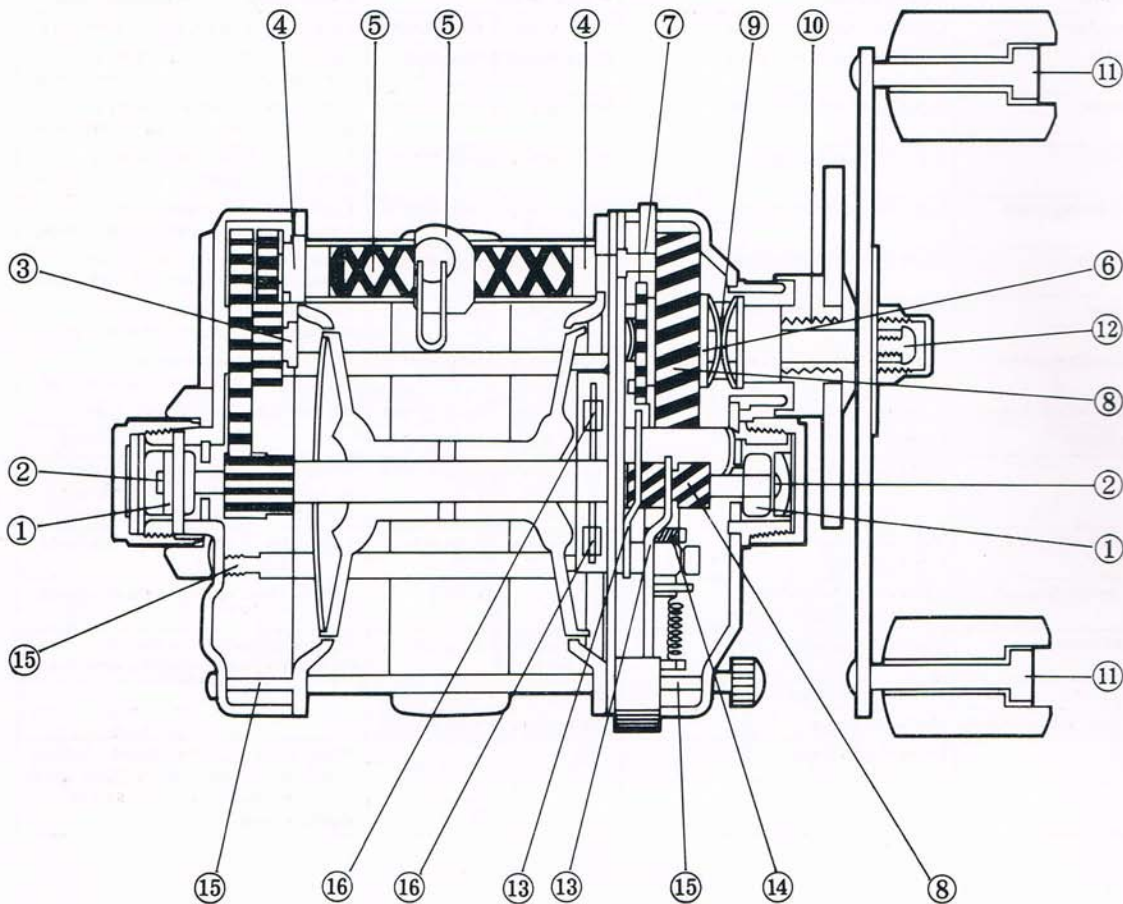


BAITCASTING REEL LUBRICATION

For Parts & Service
Call 1-888-404-1119
www.mikesrelrepair.com



● No.	● Part name	● Lubrication	● How often	● Key point care – maintenance
1	Ball bearing	1. Medium or heavy oil 2. Light or medium grease	1. After each day fshg 2. Once every 3 fshg wks	Do not drop or hit. Always keep bearing greased inside and out.
2	Spool shaft	1. Medium or heavy oil 2. Light or medium grease	1. After each day fshg 2. Once every 3 fshg wks	Contact or meshing areas of ball bearing or pinion gear.
3	Cog wheel & cog wheel holder shaft	1. Light or medium oil 2. Heavy oil	1. After 3 fshg wks 2. Once every 2 fshg mths	Do not use heavy grease
4	Worm shaft on shield bush left & right side	Light or medium oil	After each day fshg	
5	Worm shaft & line guide pin	1. Medium or heavy oil 2. Light or medium grease	1. Once every 3 fshg wks 2. Once every 2 fshg mths	Regularly inspect for dirt, grit, and salt—keep clean
6	Spool drag washer	Medium or heavy grease	Once every 3 fshg mnths	Contains special teflon or graphite gears for better performance.
7	A/R claw and Gear shaft click	Medium or heavy grease sparingly all areas	Once every 3 fshg mnths	Do not disturb the claw spring arrangement
8	Drive gear & pinion gear	Medium or heavy grease	Once every 3 fshg mnths	Make sure all surfaces are lubricated in appropriate amounts.
9	Drag spring & gear shaft ass'y	Medium or heavy grease	Once every 3 fshg mnths	Make sure all surfaces are lubricated in appropriate amounts.
10	Star drag	Medium or heavy grease	Once every 3 fshg mnths	After each day of fshg, loosen drag adjustment to preserve the spring and washer life.
11	Handle knob or shaft	1. Light or medium heavy oil 2. Light or medium grease	1. After each day fshg 2. Once in 3 fshg wks	Inspect regularly. Do not allow lube to dry to eliminate wear.
12	Set plate on gear shaft	Medium or heavy oil	Once in 3 fshg wks	Be certain to remove 12A nut plate screw & plate. Take off nut & screw.
13	Clutch lever & set plate post	Medium or heavy grease	Once every 3 fshg mnths	Lubricate in appropriate amounts
14	Set plate spring A B Pinion yoke spring	Medium or heavy oil	Once every 3 fshg mnths	Lubricate in appropriate amounts
15	Frame ass'y post	Medium or heavy grease	Once every 3 fshg mnths	Lubricate in appropriate amounts
16	Spool brake collar shaft	Do not lubricate	Once every 3 fshg mnths	No lubrication
17	Spool line	Do not lubricate		After each day of saltwater fishing spool should be removed and rinsed with freshwater until all salt is washed away.