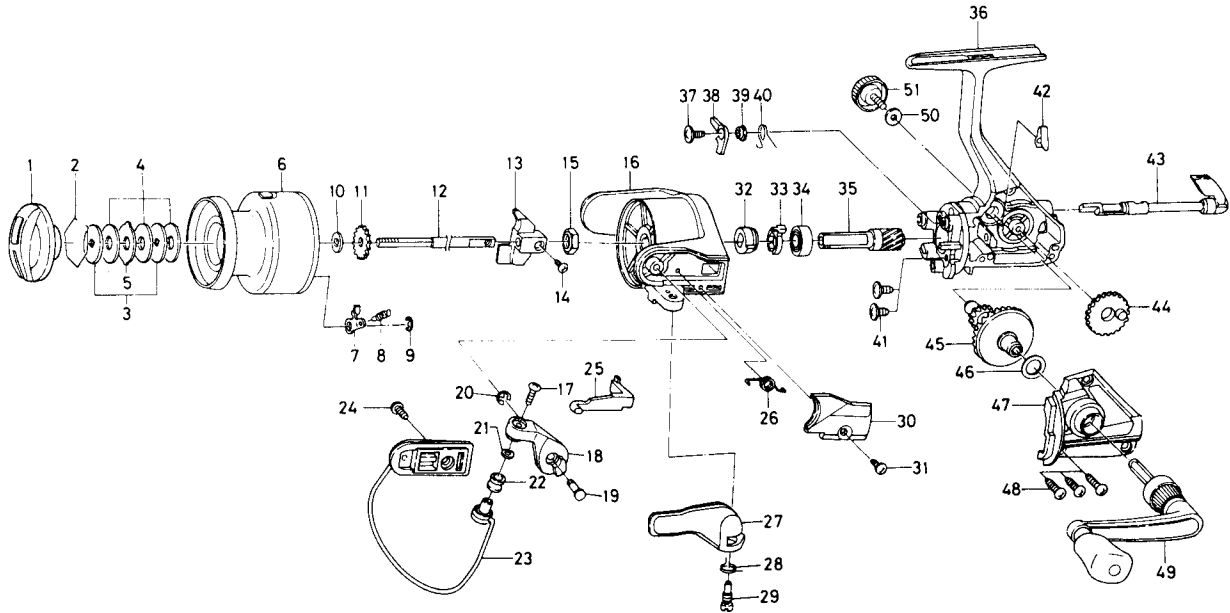


# SPINNING REEL — BW1305X



Key No. 2-9  
E51-5801 Spool assembly 15.00

Key No.	Part No.	Part Name	
1	F10-7403	Drag knob	3.75
2	171-7701	Drag washer retainer	.35
3	E46-7201	Key washer	.80
4	E13-6003	Drag washer	1.60
5	373-3603	Eared washer	.60
6	E51-5701	Spool assembly	N/A
7	B07-5304	Click pawl	.70
8	E40-3101	Click spring	.70
9	320-5901	Click retainer	.50
10	E46-7101	Spool washer	.60
11	270-6501	Click gear	.60
12	E48-4301	Main shaft	1.90
13	E45-1401	Oscillating slider	.70
14	351-0315	Oscillating slider screw	.50
15	341-9201	Rotor nut	.55
16	F11-1202	Rotor	3.30
17	B67-9304	Line roller screw	.40
18	E49-4101	Bail arm	1.15
19	E49-3501	Bail arm screw	.95
20	320-5901	Bail arm screw retainer	.50
21	B55-4301	Line roller washer	.40
22	L01-8201	Line roller	.90
23	E49-3601	Bail assembly	4.10
24	L01-1702	Bail trip cam screw	.35
25	E45-1601	Bail trip lever	.90
26	F12-8901	Bail spring	.60

Key No.	Part No.	Part Name	
27	F11-0602	Trigger lever	1.65
28	E36-9901	Trigger spring	.70
29	E37-0001	Trigger screw	2.10
30	E49-4201	Bail spring cover	.60
31	E36-4202	Bail spring cover screw	.60
32	E49-2401	Anti-reverse ratchet	.60
33	E38-5501	Anti-reverse pawl spring A	1.90
34	L03-6601	Ball bearing	6.80
35	E30-3401	Pinion gear	1.75
36	F10-5403	Body assembly	5.95
37	L00-1801	Anti-reverse pawl screw	.35
38	L01-4401	Anti-reverse pawl	.75
39	L01-4302	Anti-reverse pawl collar	.55
40	L00-1501	Anti-reverse pawl spring B	.60
41	E03-7801	Bearing retainer screw	.60
42	E32-7801	Anti-reverse cam spring	.70
43	F08-5106	Anti-reverse lever	2.25
44	E45-1301	Oscillating gear	.75
45	F08-4801	Drive gear	2.50
46	373-7802	Drive gear washer	.40
47	F10-5503	Side cover	2.80
48	B83-5002	Side cover screw	.60
49	E49-3801	Handle assembly	6.15
50	B92-4902	Handle lock washer	.35
51	B92-5001	Handle lock screw	.80