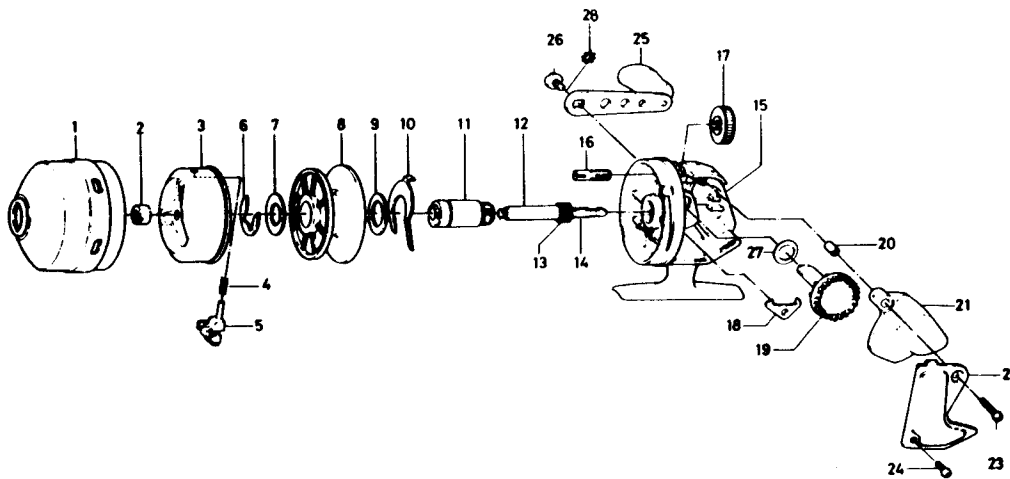


# SPINCASTING REEL **Apollocast 110S**



Key No.	Parts No.	Parts Name
1	B09-7401	Front cover
2	342-4911	Rotor nut
3	B09-7202	Rotor
4	144-1801	Pick up pin spring
5	B09-7302	Pick up pin
6	320-0351	Spool retainer
7	370-4512	Spool washer
8	B09-6901	Spool
9	370-0412	Spool washer
10	B30-7401	Drag adjusting plate
11	B08-6401	Shaft metal
12	B08-6601	Main shaft
13	B08-6701	Pinion Gear
14	141-2521	Main shaft spring

Sold as one unit  
Main shaft assembly  
B08-6501

Key No.	Parts No.	Parts Name
15	B30-8302	Body
16	B08-7601	Drag adjusting screw
17	B08-7401	Drag adjusting dial
18	110-2721	Anti-reverse claw
19	B08-6301	Drive gear
20	B08-6901	Push button sleeve
21	B08-6801	Push button
22	B08-7014	Body cover
23	353-8701	Body cover screw (long)
24	351-6601	Body cover screw (short)
25	746-5801	Handle
26	B08-7301	Handle screw
27	373-0100	Drive gear washer
28	160-8001	Handle washer