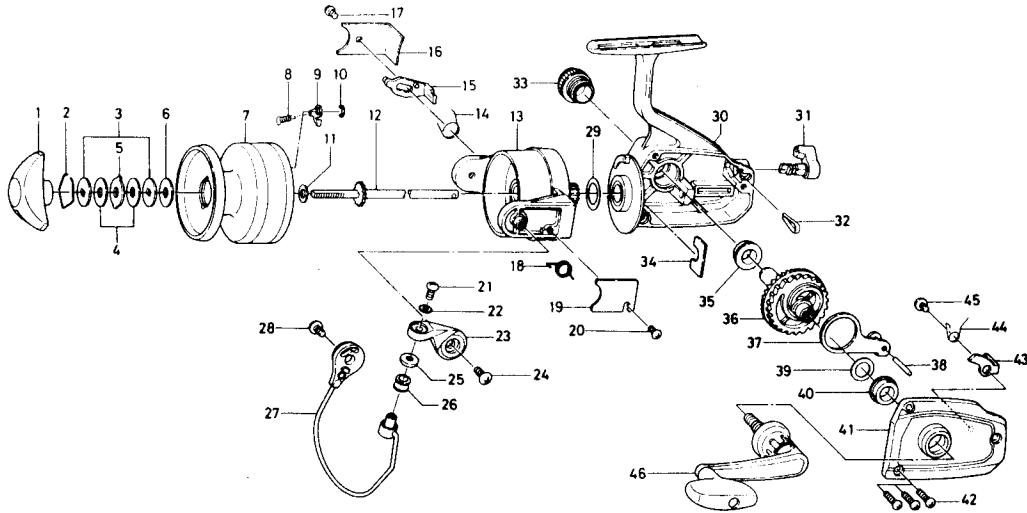


**SPINNING REEL
APOLLO SILVER 160X**



Key No.	Parts No.	Parts Name
1	740-2103	Drag knob
2	170-4001	Drag washer retainer
3	373-2502	Drag D washer
4	374-2901	Disc washer
5	375-5301	Drag A washer
6	370-6901	Drag washer A
7	B18-0403	Spool
8	144-1211	Spool click claw spring
9	B07-5302	Spool click claw
10	320-5901	Spool click claw retainer
11	371-8331	Spool washer
12	B18-5301	Main shaft
13	B18-4202	Rotor
14	B18-4701	Bail kick lever spring
15	B18-4801	Bail kick lever
16	B18-4901	Bail kick lever cover
17	352-0402	Bail kick lever cover screw
18	B18-4401	Bail spring
19	B18-4601	Bail spring cover
20	352-0402	Bail spring cover screw
21	353-8202	Bail screw
22	375-1001	Bail washer
23	B18-4501	Arm lever
		Sold as one unit
		Spool assembly
		6-B18-0604

Key No.	Parts No.	Parts Name
24	353-8202	Arm lever screw
25	502-1601	Roller collar
26	250-4221	Line roller
27	B18-5001	Bail
28	353-8202	Bail holder screw
29	370-9800	Rotor washer
30	B38-6101	Body
31	B18-4101	Anti-reverse lever
32	B11-4301	Anti-reverse lever spring
33	363-4703	Handle screw cap
34	632-6601	Pinion retainer
35	B07-3301	Bearing metal
36	B20-3201	Drive gear
37	480-7501	Oscillating slider
38	121-1211	Oscillating slider pin
39	371-2800	Drive gear washer
40	B07-3301	Bearing metal
41	B38-6201	Body cover
42	351-5904	Body cover screw
43	111-7101	Anti-reverse claw
44	142-3961	Anti-reverse claw spring
45	351-6102	Anti-reverse claw screw
46	747-1101	Handle