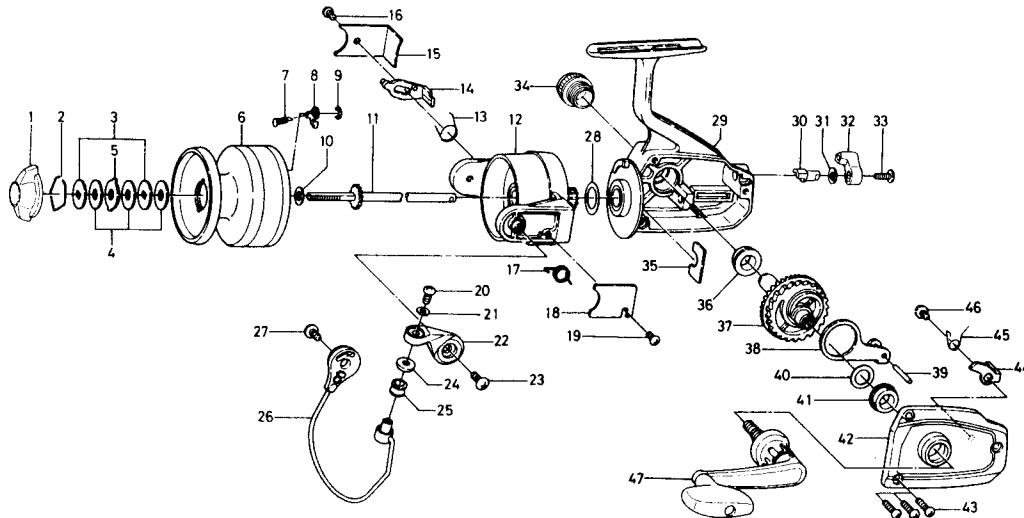


**SPINNING REEL
APOLLO SILVER 100X**



Key No.	Parts No.	Parts Name
1	740-2304	Drag knob
2	170-7701	Drag washer retainer
3	374-9802	Drag D washer
4	374-3602	Disc washer
5	374-3802	Drag A washer
6	B17-9403	Spool
7	144-1211	Spool click claw spring
8	B07-5302	Spool click claw
9	320-5901	Spool click claw retainer
10	372-3501	Spool washer
11	B18-8501	Main shaft
12	B18-7502	Rotor
13	B18-8001	Bail kick lever spring
14	B18-8101	Bail kick lever
15	B18-8201	Bail kick lever cover
16	352-0402	Bail kick lever cover screw
17	B18-7701	Bail spring
18	B18-7901	Bail spring cover
19	352-0402	Bail spring cover screw
20	353-8202	Bail screw
21	375-1001	Bail washer
22	B18-7801	Arm lever
23	353-8202	Arm lever screw
24	501-1401	Roller collar
		Sold as one unit
		Spool assembly
		6-B17-9705

Key No.	Parts No.	Parts Name
25	250-3921	Line roller
26	B18-8301	Bail
27	353-8202	Bail holder screw
28	372-8600	Rotor washer
29	B38-5001	Body
30	461-7701	Anti-reverse cam
31	150-1751	Anti-reverse lever washer
32	B18-7401	Anti-reverse lever
33	351-8302	Anti-reverse lever screw
34	B22-4501	Handle screw cap
35	632-6601	Pinion retainer
36	B12-9001	Bearing metal
37	B18-8701	Drive gear
38	B19-0501	Oscillating slider
39	121-1211	Oscillating slider pin
40	373-0100	Drive gear washer
41	B12-9001	Bearing metal
42	B38-5101	Body cover
43	351-5904	Body cover screw
44	B18-9201	Anti-reverse claw
45	144-8211	Anti-reverse claw spring
46	351-7701	Anti-reverse claw screw
47	B38-5201	Handle