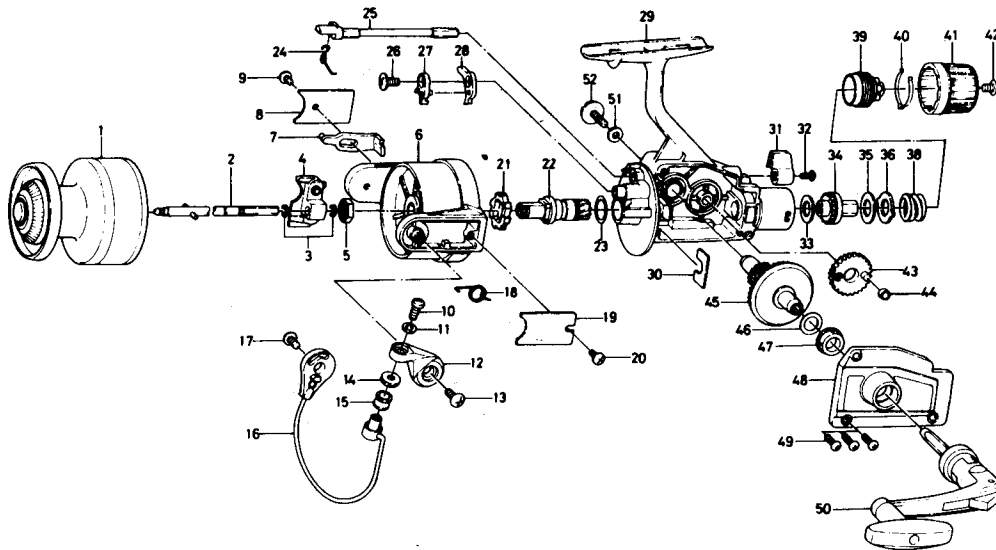


# SPINNING REEL AS4050



Key No.	Parts No.	Parts Name	Key No.	Parts No.	Parts Name
1	B80-7601	Spool	31	B80-4501	Anti-reverse lever
2	B78-2702	Main shaft	32	352-2502	Anti-reverse lever screw
3	B78-3101	Oscillating slider retainer	33	B46-9504	Drag washer A
4	B78-3001	Oscillating slider	34	B80-6001	Click gear
5	B10-5701	Rotor nut	35	B78-6601	Drag washer B
6	B80-7501	Rotor	36	373-3603	Drag washer C
7	B78-4001	Bail kick lever	38	B91-3801	Drag knob spring
8	B63-0904	Bail kick lever cover	39	B77-0002	Drag screw
9	351-6102	Bail kick lever cover screw	40	B77-0301	Drag washer spring
10	B11-2801	Bail screw	41	B80-6101	Drag knob
11	375-1101	Bail washer	42	352-1103	Drag knob spring screw
12	B80-3501	Arm lever	43	B79-0501	Oscillating gear
13	352-1103	Arm lever screw	44	B78-9801	Oscillating collar
14	501-2003	Roller collar	45	B80-6201	Drive gear
15	250-4502	Line roller	46	371-2800	Drive gear washer
16	B78-9102	Bail	47	B07-3303	Bearing
17	352-1103	Bail holder screw	48	B80-6302	Body cover
18	B19-7201	Bail spring	49	351-6904	Body cover screw
19	634-6804	Bail spring cover	50	B79-7301	Handle
20	351-6102	Bail spring cover screw	51	371-9521	Handle washer
21	B34-2201	Ratchet	52	B50-6601	Handle screw
22	B80-5801	Pinion gear			
23	B71-3800	Rotor washer			
24	144-0321	Anti-reverse cam spring			
25	B80-5701	Anti-reverse cam			
26	352-1103	Anti-reverse claw screw			
27	B80-5601	Anti-reverse claw plate			
28	B80-5501	Anti-reverse claw			
29	B80-5202	Body			
30	632-6601	Pinion retainer			