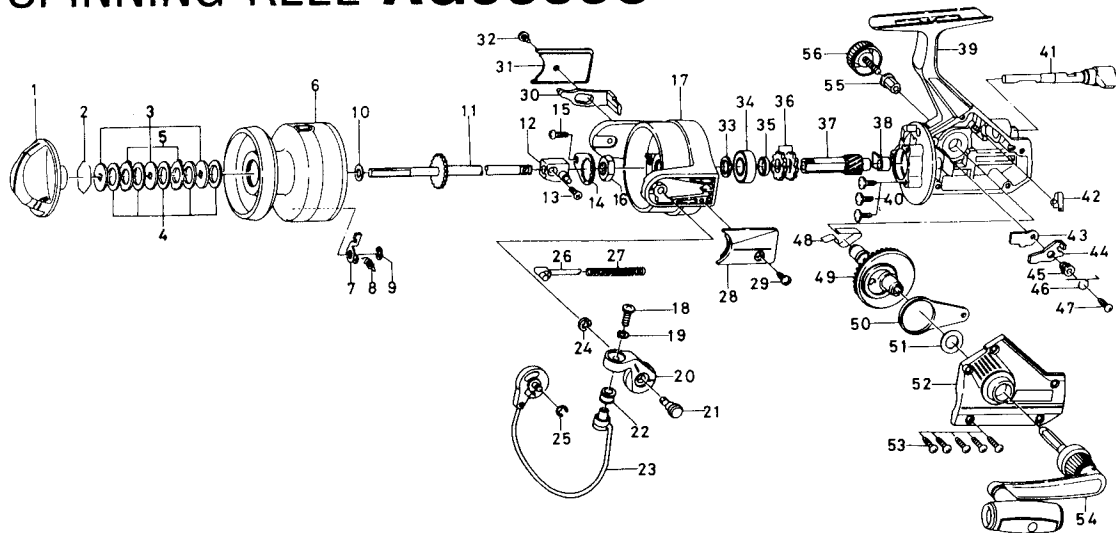


SPINNING REEL AG9000C



Key No. 1—9

Key No.	Parts No.	Parts Name
	K08-3101	Spool assembly
1	K12-3905	Drag knob
2	171-7701	Drag washer retainer
3	L01-8002	Key washer
4	375-7802	Drag washer
5	B89-9501	Eared washer
6	K08-4401	Spool assembly
7	B07-8201	Click pawl
8	145-2101	Click pawl spring
9	320-1402	Click pawl retainer
10	K08-1901	Spool washer
11	K08-1401	Main shaft assembly
12	K07-2001	Oscillating slider
13	351-8901	Oscillating slider screw
14	B02-1601	Rotor nut holding plate
15	L01-1702	Rotor nut holding plate screw
16	K07-1601	Rotor nut
17	K08-2501	Rotor
18	353-9702	Line roller screw
19	160-8101	Lock washer
20	K06-6701	Bail arm
21	K12-0401	Bail arm screw
22	250-4221	Line roller
23	K08-2601	Bail
24	320-1402	Bail arm screw retainer
25	320-1402	Bail trip cam retainer
26	K12-0601	Bail spring shaft
27	K12-0701	Bail spring
28	K07-1402	Bail spring cover

Key No.	Parts No.	Parts Name
29	K07-1501	Bail spring cover screw
30	K07-1001	Bail trip lever
31	K07-1102	Bail trip cover
32	K07-1501	Bail trip cover screw
33	B90-9201	Bearing washer
34	637-6101	Ball bearing
35	K07-0801	Spacing sleeve
36	E26-2701	Anti-reverse ratchet
37	K07-0701	Pinion gear
38	K07-0601	Pinion holder
39	K08-0602	Body assembly
40	B84-2102	Bearing retainer screw
41	K11-9001	Anti-reverse lever
42	B58-8601	Anti-reverse cam spring
43	K11-8601	Anti-reverse pawl plate
44	K11-8701	Anti-reverse pawl
45	K11-8801	Anti-reverse pawl collar
46	K11-8901	Anti-reverse pawl spring A
47	K08-7802	Anti-reverse pawl screw
48	K12-1301	Anti-reverse pawl spring B
49	K11-5901	Drive gear
50	L00-7901	Oscillating support
51	371-2800	Drive gear washer
52	K08-1702	Side cover
53	K08-7801	Side cover screw
54	K08-2401	Handle assembly
55	501-8401	Handle collar
56	L00-9102	Handle lock screw