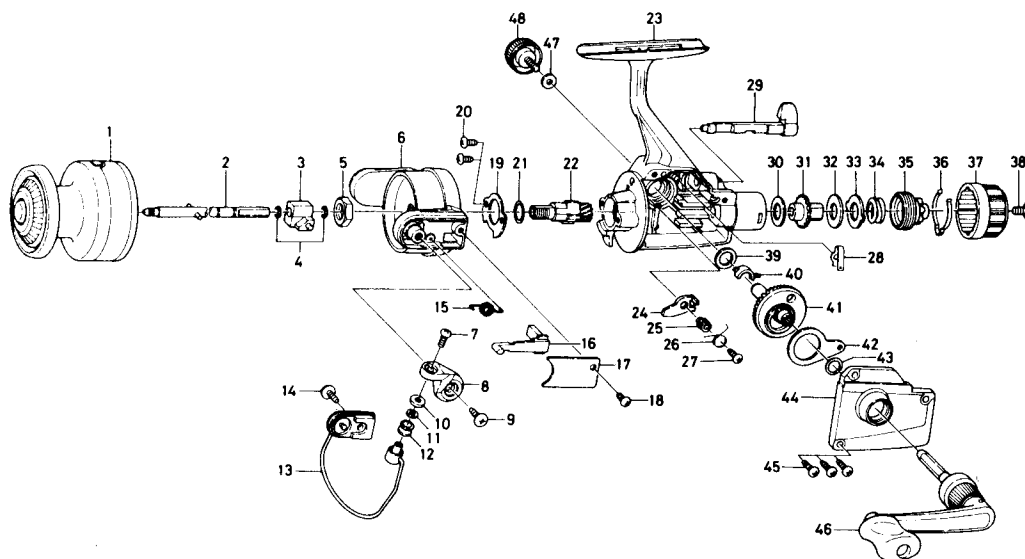


SPINNING REEL AG750



Key No.	Parts No.	Parts Name	Price Each	Key No.	Parts No.	Parts Name	Price Each
1	E03-5601	Spool	7.00	25	E03-3001	Anti-reverse pawl collar	0.35
2	E03-6401	Main shaft	1.45	26	B95-9601	Anti-reverse pawl spring	0.35
3	B98-6501	Oscillating support	0.70	27	E02-7401	Anti-reverse pawl screw	0.35
4	E04-0601	Oscillating support retainer	0.35	28	B58-8601	Anti-reverse cam spring	0.40
5	342-4001	Rotor nut	0.50	29	E03-2801	Anti-reverse cam	0.95
6	E02-5401	Rotor	6.00	30	B58-9104	Drag washer A	0.35
7	B67-9301	Line roller screw	0.35	31	E03-5101	Click gear	0.70
8	E03-3901	Bail arm	1.05	32	B58-9601	Drag washer B	0.40
9	B84-2102	Bail arm screw	0.40	33	B58-9501	Eared washer	0.35
10	B97-9801	Line roller collar	0.40	34	B58-9801	Drag coil spring	0.40
11	B55-4301	Line roller washer	0.35	35	E03-3101	Drag screw	0.70
12	250-3921	Line roller	0.80	36	E03-3201	Drag washer spring	0.35
13	E03-4201	Bail	2.95	37	E03-3301	Drag knob	1.65
14	B93-3001	Bail trip cam screw	0.35	38	353-8203	Drag knob spring screw	0.35
15	E03-4001	Bail spring	0.50	39	E03-4501	Drive gear washer A	0.35
16	E03-3801	Bail trip lever	0.35	40	B96-0801	Drive gear collar	0.35
17	E03-4101	Bail spring cover	0.35	41	E03-4601	Drive gear	1.05
18	B93-3001	Bail spring cover screw	0.35	42	481-1331	Oscillating slider	0.70
19	E03-3701	Bearing retainer	0.35	43	375-8500	Drive gear washer B	0.40
20	B93-3001	Bearing retainer screw	0.35	44	E04-1001	Side cover	5.60
21	E03-4401	Pinion washer	0.35	45	B83-5002	Side cover screw	0.40
22	E03-3601	Pinion gear	2.60	46	E03-5901	Handle	6.05
23	E03-2501	Body	11.00	47	B92-4901	Handle lock washer	0.40
24	E03-2901	Anti-reverse pawl	0.45	48	E03-5501	Handle lock screw	0.75