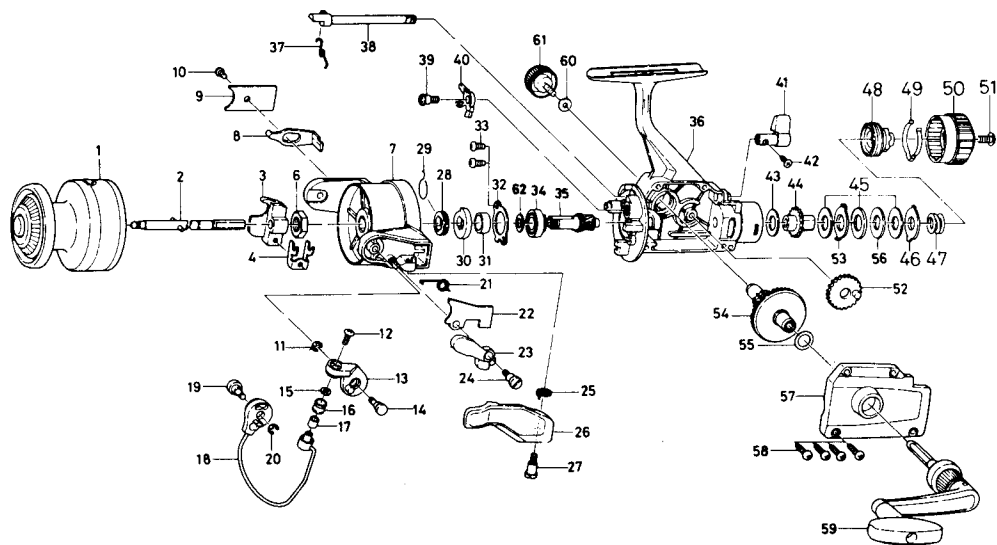


## SPINNING REEL **AG1655A/2055A**



Key No.	Parts No.	Parts Name
1	K10-8501	Spool
2	B83-9801	Main shaft
3	E08-7801	Oscillating slider
4	B93-7202	Oscillating slider retainer
6	B10-5701	Rotor nut
7	B82-1901	Rotor
8	B83-6701	Bail trip lever
9	B76-9701	Bail trip cover
10	B83-4402	Bail trip cover screw
11	320-5901	Bail arm screw retainer
12	B67-9302	Line roller screw
13	B67-4601	Bail arm
14	B83-3801	Bail arm screw
15	B55-4301	Line roller washer A
16	250-3921	Line roller
17	B45-1501	Line roller bushing
18	K10-7702	Bail
19	B83-4202	Bail trip cam screw
20	320-5901	Bail trip cam screw retainer
21	K04-9901	Bail spring
22	B83-6401	Bail spring cover
23	B76-9301	Trigger plate
24	K03-7302	Bail spring cover screw
25	B67-5201	Trigger spring
26	B67-5107	Trigger lever
27	K03-7302	Trigger screw
28	B68-6401	Spring holder
29	145-0901	Anti-reverse pawl spring
30	B67-4301	Anti-reverse ratchet
31	K03-1701	Spacing sleeve
32	B35-6301	Bearing retainer
33	B83-4402	Bearing retainer screw
34	K10-5801	Bushing
35	K10-5501	Pinion gear
36	K05-2201	Body
37	144-0321	Anti-reverse cam spring

Key No.	Parts No.	Parts Name
38	B83-6001	Anti-reverse cam
39	K03-2901	Anti-reverse pawl screw
40	K02-3301	Anti-reverse pawl
41	E08-6102	Anti-reverse lever
42	B12-8201	Anti-reverse lever screw
43	B46-9505	Drag washer A
44	B76-9803	Click gear
45	E14-3301	Drag washer B
46	B83-9501	Eared washer A
47	K02-6701	Drag coil spring
48	B77-0004	Drag screw
49	B77-0301	Drag washer spring
50	K05-0202	Drag knob
51	352-1107	Drag knob spring screw
52	B74-3701	Oscillating gear
53	K05-0301	<b>Eared washer B</b>
54	K10-5601	Drive gear
55	373-7800	Drive gear washer
56	E02-4401	<b>key washer</b>
57	K10-8002	Side cover
58	B83-5002	Side cover screw
59	E00-2502	Handle
60	B92-4902	Handle lock washer
61	B92-5001	Handle lock screw
62	K10-5701	Bushing washer

### AG2055 A Special Parts

1	E08-7402	Spool
7	B82-2101	Rotor
8	B83-7301	Bail trip lever
18	K10-7902	Bail
36	K05-2202	Body
57	E08-6203	Side cover
59	E00-2802	Handle