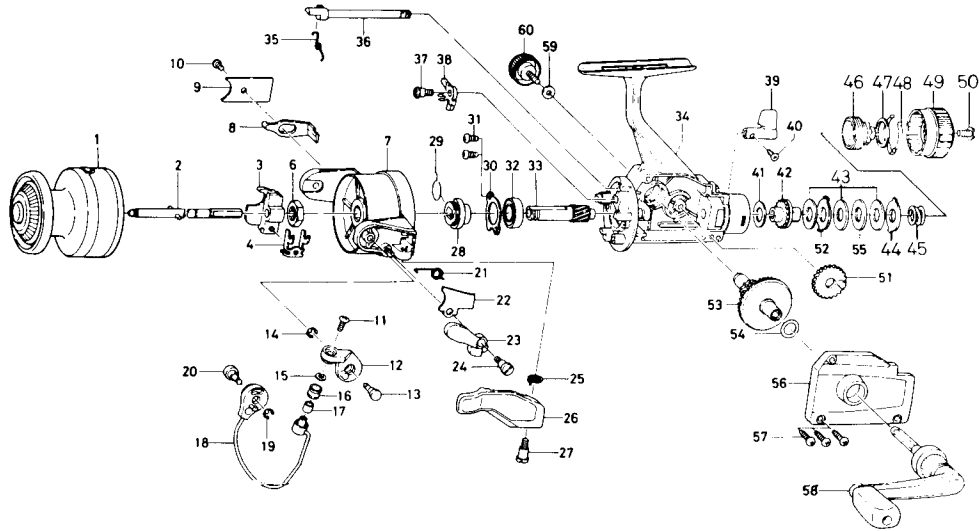


SPINNING REEL **AG 1355B**



Key No.	Parts No.	Parts Name	Key No.	Parts No.	Parts Name
1	K10-6402	Spool	32	634-1301	Ball bearing
2	K02-4901	Main shaft	33	E08-9502	Pinion gear
3	B97-9601	Oscillating slider	34	K04-8303	Body
4	K02-5101	Oscillating slider retainer	35	B44-8501	Anti-reverse cam spring
6	B67-9401	Rotor nut	36	B44-8401	Anti-reverse cam
7	B81-8501	Rotor	37	K03-2801	Anti-reverse pawl screw
8	B83-5701	Bail trip lever	38	K02-2701	Anti-reverse pawl
9	B74-7301	Bail trip cover	39	E08-3701	Anti-reverse lever
10	B83-4402	Bail trip cover screw	40	B12-8201	Anti-reverse lever screw
11	B67-9302	Line roller screw	41	B48-9902	Drag washer A
12	B67-4601	Bail arm	42	B83-3602	Click gear
13	B83-3801	Bail arm screw	43	B49-0202	Drag washer B
14	320-5901	Bail arm screw retainer	44	B49-0102	Eared washer A
15	B55-4301	Line roller washer	45	B92-6703	Drag coil spring
16	250-3921	Line roller	46	B74-7603	Drag screw
17	B45-1501	Line roller bushing	47	B90-8201	Drag washer C
18	K10-6702	Bail	48	B74-7702	Drag washer spring
19	320-5901	Bail trip cam screw retainer	49	K04-8601	Drag knob
20	B83-4202	Bail trip cam screw	50	352-1105	Drag knob spring screw
21	K04-9701	Bail spring	51	B74-2501	Oscillating gear
22	B83-3902	Bail spring cover	52	B63-8301	Eared washer B
23	B67-4901	Trigger plate	53	E08-9701	Drive gear
24	K03-7302	Bail spring cover screw	54	373-7800	Drive gear washer
25	B67-5201	Trigger spring	55	B49-0301	Key washer
26	B67-5105	Trigger lever	56	K04-8804	Side cover
27	K03-7302	Trigger screw	57	B83-5002	Side cover screw
28	K02-2901	Anti-reverse ratchet	58	E00-1603	Handle
29	K02-5401	Anti-reverse pawl spring	59	B92-4902	Handle lock washer
30	B45-6401	Bearing retainer	60	B92-5001	Handle lock screw
31	B83-4402	Bearing retainer screw			