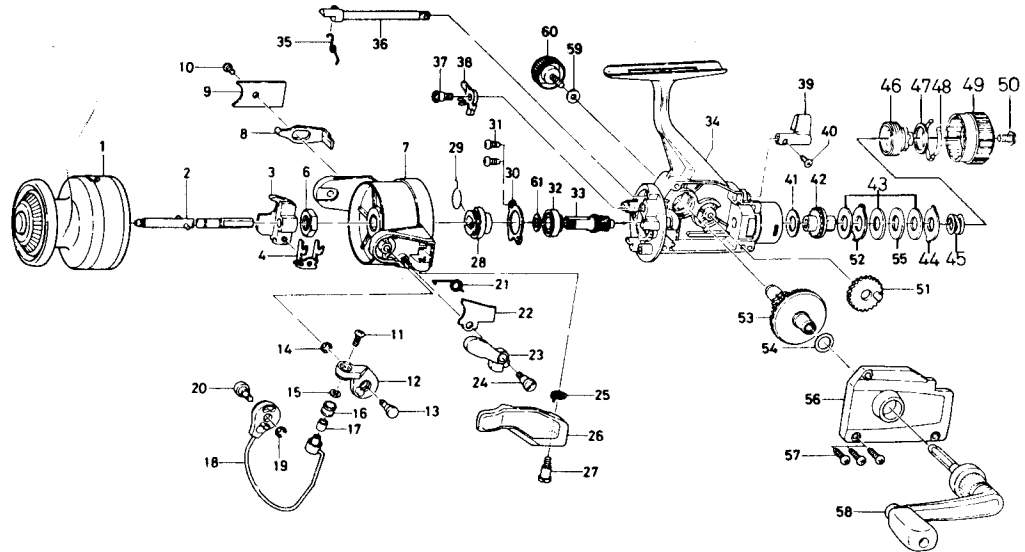


## SPINNING REEL **AG1355A**



| Key No. | Parts No. | Parts Name                   | Key No. | Parts No. | Parts Name               |
|---------|-----------|------------------------------|---------|-----------|--------------------------|
| 1       | K10-6401  | Spool                        | 32      | E04-0401  | Bushing                  |
| 2       | K02-4901  | Main shaft                   | 33      | E08-9501  | Pinion gear              |
| 3       | B97-9601  | Oscillating slider           | 34      | K04-9502  | Body                     |
| 4       | K02-5101  | Oscillating slider retainer  | 35      | B44-8501  | Anti-reverse cam spring  |
| 6       | B67-9401  | Rotor nut                    | 36      | B44-8401  | Anti-reverse cam         |
| 7       | B81-8601  | Rotor                        | 37      | K03-2801  | Anti-reverse pawl screw  |
| 8       | B83-5701  | Bail trip lever              | 38      | K02-2701  | Anti-reverse pawl        |
| 9       | B74-7301  | Bail trip cover              | 39      | E08-3702  | Anti-reverse lever       |
| 10      | B83-4402  | Bail trip cover screw        | 40      | B12-8201  | Anti-reverse lever screw |
| 11      | B67-9302  | Line roller screw            | 41      | B48-9902  | Drag washer A            |
| 12      | B67-4601  | Bail arm                     | 42      | B83-3602  | Click gear               |
| 13      | B83-3801  | Bail arm screw               | 43      | B49-0202  | Drag washer B            |
| 14      | 320-5901  | Bail arm screw retainer      | 44      | B49-0102  | Eared washer A           |
| 15      | B55-4301  | Line roller washer           | 45      | B92-6703  | Drag coil spring         |
| 16      | 250-3921  | Line roller                  | 46      | B74-7603  | Drag screw               |
| 17      | B45-1501  | Line roller bushing          | 47      | B90-8201  | Drag washer C            |
| 18      | K10-6702  | Bail                         | 48      | B74-7702  | Drag washer spring       |
| 19      | 320-5901  | Bail trip cam screw retainer | 49      | K03-8603  | Drag knob                |
| 20      | B83-4202  | Bail trip cam screw          | 50      | 352-1105  | Drag knob spring screw   |
| 21      | K04-9701  | Bail spring                  | 51      | B74-2501  | Oscillating gear         |
| 22      | B83-3902  | Bail spring cover            | 52      | B63-8301  | Eared washer B           |
| 23      | B67-4901  | Trigger plate                | 53      | E08-6701  | Drive gear               |
| 24      | K03-7302  | Bail spring cover screw      | 54      | 373-7800  | Drive gear washer        |
| 25      | B67-5201  | Trigger spring               | 55      | B49-0301  | Key washer               |
| 26      | B67-5107  | Trigger lever                | 56      | K10-6202  | Side cover               |
| 27      | K03-7302  | Trigger screw                | 57      | B83-5002  | Side cover screw         |
| 28      | K02-2901  | Anti-reverse ratchet         | 58      | E00-1603  | Handle                   |
| 29      | K02-5401  | Anti-reverse pawl spring     | 59      | B92-4902  | Handle lock washer       |
| 30      | B45-6401  | Bearing retainer             | 60      | B92-5001  | Handle lock screw        |
| 31      | B83-4402  | Bearing retainer screw       | 61      | E09-0701  | Bushing washer           |