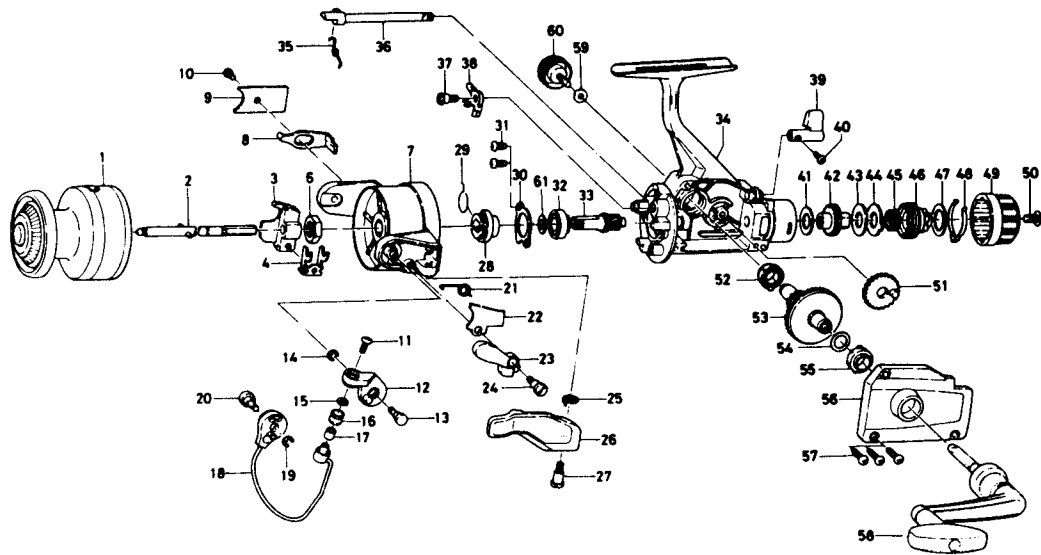


# SPINNING REEL AG1355/GG5510



Key No.	Parts No.	Parts Name	Key No.	Parts No.	Parts Name
* 1		Spool	32	E04-0401	Bushing
2	B83-4501	Main shaft	33	E08-9501	Pinion gear
3	B97-9601	Oscillating slider	* 34		Body
4	B97-9701	Oscillating slider retainer	35	B44-8501	Anti-reverse cam spring
6	B67-9401	Rotor nut	36	B44-8401	Anti-reverse cam
7	B81-8601	Rotor	37	B61-8101	Anti-reverse pawl screw
8	B83-5701	Bail trip lever	38	B90-3001	Anti-reverse pawl
9	B74-7301	Bail trip cover	39	E08-3702	Anti-reverse lever
10	B83-4402	Bail trip cover screw	40	B12-8201	Anti reverse lever screw
11	B67-9302	Line roller screw	41	B48-9902	Drag washer A
12	B67-4601	Bail arm	42	B83-3602	Click gear
13	B83-3801	Bail arm screw	43	B76-0501	Drag washer B
14	320-5901	Bail arm screw retainer	44	B49-0102	Eared washer
15	B55-4301	Line roller washer	45	B92-6703	Drag coil spring
16	250-3921	Line roller	46	B74-7603	Drag screw
17	B45-1501	Line roller bushing	47	B90-8201	Drag washer C
18	K10-6701	Bail	48	B74-7702	Drag washer spring
19	320-5901	Bail trip cam screw retainer	49	B82-5508	Drag knob
20	B83-4202	Bail trip cam screw	50	352-1105	Drag knob spring screw
21	B83-3701	Bail spring	51	B74-2501	Oscillating gear
22	B83-3902	Bail spring cover	52	B84-3901	Bushing
23	B67-4901	Trigger plate	53	E08-9701	Drive gear
24	B68-8801	Bail spring cover screw	54	373-7800	Drive gear washer
25	B67-5201	Trigger spring	55	B84-3901	Bushing
26	B67-5107	Trigger lever	56	K10-6801	Side cover
27	B68-8801	Trigger screw	* 57		Side cover screw
28	B83-5601	Anti-reverse ratchet	58	E09-0001	Handle
29	145-0501	Anti-reverse pawl spring	59	B92-4902	Handle lock washer
30	B45-6401	Bearing retainer	60	B92-5001	Handle lock screw
31	B83-4402	Bearing retainer screw	61	E09-0701	Bushing washer

\*Order by model and part name due to color change.