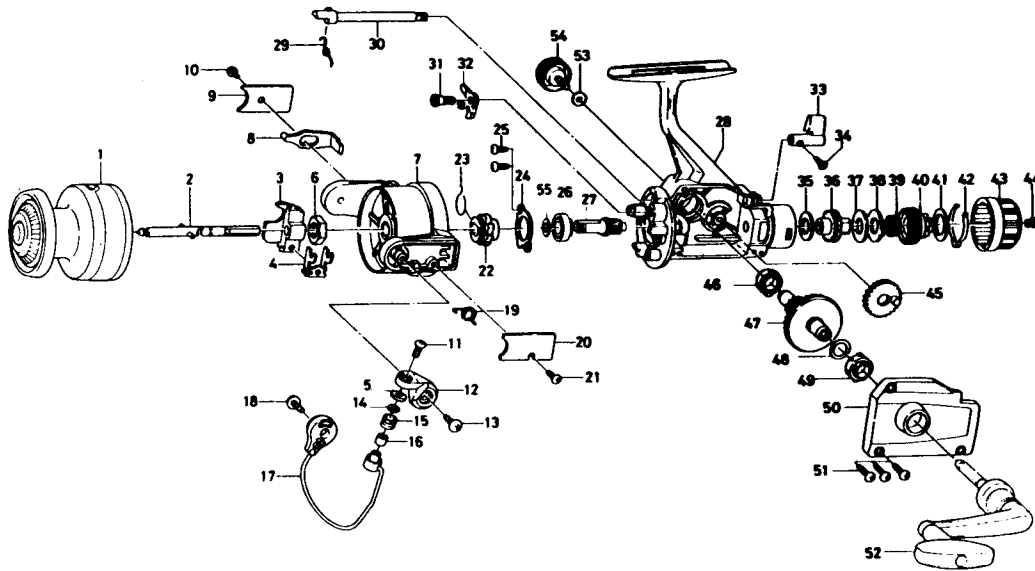


SPINNING REEL AG1350



Key No.	Parts No.	Parts Name	Key No.	Parts No.	Parts Name
1	.K10-6401	Spool	29	.B44-8501	Anti-reverse cam spring
2	.B83-4501	Main shaft	30	.B44-8401	Anti-reverse cam
3	.B97-9601	Oscillating slider	31	.B61-8101	Anti-reverse pawl screw
4	.B97-9701	Oscillating slider retainer	32	.B90-3001	Anti-reverse pawl
5	.B97-9801	Line roller washer A	33	E 08-3702	Anti-reverse lever
6	.B67-9401	Rotor nut	34	.B12-8201	Anti-reverse lever screw
7	.B81-8601	Rotor	35	.B48-9902	Drag washer A
8	.B83-5701	Bail trip lever	36	.B83-3602	Click gear
9	.B74-7301	Bail trip cover	37	.B76-0501	Drag washer B
10	.B83-3902	Bail trip cover screw	38	.B49-0102	Eared washer
11	.B67-9302	Line roller screw	39	.B92-6703	Drag coil spring
12	.B68-1102	Bail arm	40	.B74-7603	Drag screw
13	.B84-2102	Bail arm screw	41	.B90-8201	Drag washer C
14	.B55-4301	Line roller washer B	42	.B74-7702	Drag washer spring
15	.250-3921	Line roller	43	.B82-5508	Drag knob
16	.B45-1501	Line roller bushing	44	.352-1105	Drag knob spring screw
17	.K10-6101	Bail	45	.B74-2501	Oscillating gear
18	.B84-2102	Bail trip cam screw	46	.B84-3901	Bushing
19	.B18-7702	Bail spring	47	E 08-9701	Drive gear
20	.B45-0901	Bail spring cover	48	.373-7800	Drive gear washer
21	.B83-4402	Bail spring cover screw	49	.B84-3901	Bushing
22	.B61-8001	Anti-reverse ratchet	50	K10-6201	Side cover
23	.145-0501	Anti-reverse pawl spring	51	.B83-5002	Side cover screw
24	.B45-6401	Bearing retainer	52	E 09-0001	Handle
25	.B83-4402	Bearing retainer screw	53	.B92-4902	Handle lock washer
26	E 04-0401	Bushing	54	.B92-5001	Handle lock screw
27	E 08-9501	Pinion gear	55	E 09-0701	Bushing washer
28	K10-5901	Body			