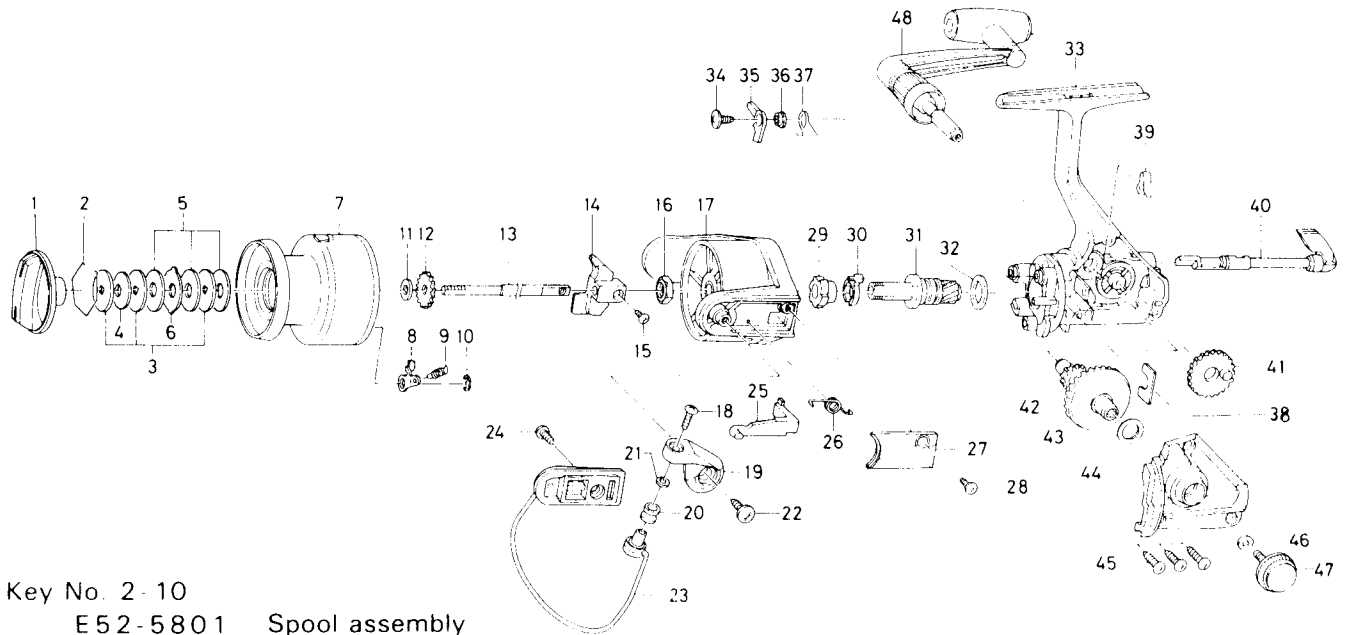


SPINNING REEL — AG1300



Key No.	Parts No.	Parts Name
1	F05-1001	Drag knob
2	171-7701	Drag washer retainer
3	E46-7201	Key washer
4	F05-0901	Drag spring washer
5	E13-6003	Drag washer
6	373-3603	Eared washer
7	E52-5701	Spool assembly
8	B07-5304	Click pawl
9	E40-3101	Click spring
10	320-5901	Click retainer
11	E46-7101	Spool washer
12	270-6501	Click gear
13	E45-1501	Main shaft
14	E45-1401	Oscillating slider
15	351-0315	Oscillating block screw
16	341-9201	Rotor nut
17	F10-4202	Rotor
18	B67-9304	Line roller screw
19	E45-1701	Bail arm
20	L01-8201	Line roller
21	B55-4301	Line roller washer
22	E00-7101	Bail arm screw
23	E48-7201	Bail assembly
24	L01-1702	Bail trip cam screw

Key No.	Parts No.	Parts Name
25	E45-1601	Bail trip lever
26	F12-8901	Bail spring
27	F08-8401	Bail spring cover
28	E36-4202	Bail spring cover screw
29	L01-4001	Anti-reverse ratchet
30	E38-5501	Anti-reverse pawl spring A
31	E48-4601	Pinion gear
32	372-7600	Pinion washer
33	F20-3601	Body assembly
34	L00-1801	Anti-reverse pawl screw
35	L01-4401	Anti-reverse pawl
36	L01-4302	Anti-reverse pawl collar
37	L00-1501	Anti-reverse pawl spring B
38	B60-3801	Pinion retainer
39	E32-7801	Anti-reverse cam spring
40	F08-5110	Anti-reverse lever
41	E45-1301	Oscillating gear
42	F08-4801	Drive gear
43	373-7800	Drive gear washer
44	F10-5704	Side cover
45	B83-5002	Side cover screw
46	B92-4902	Handle lock washer
47	B92-5001	Handle lock screw
48	E52-5201	Handle assembly