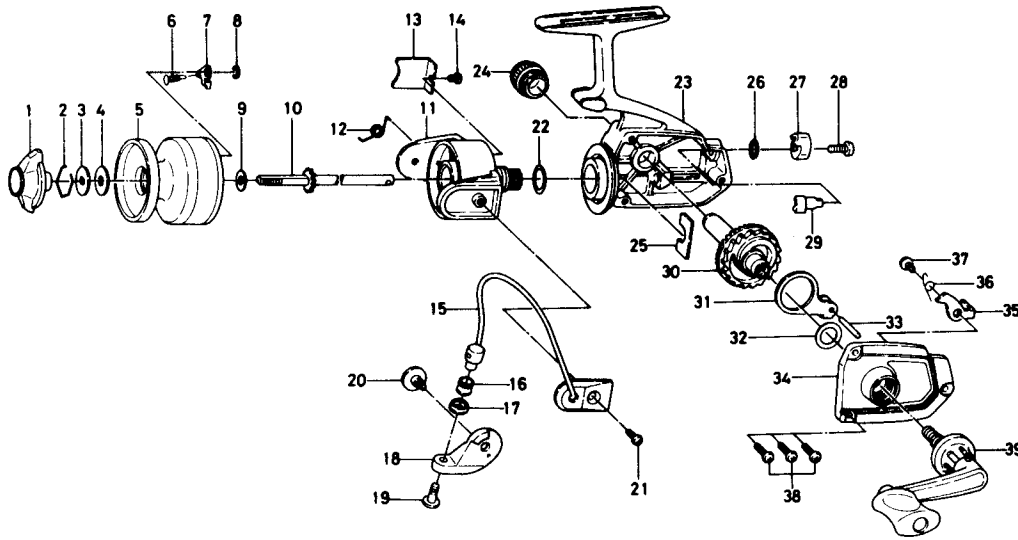


## SPINNING REEL A-70RL



Key No.	Parts No.	Parts Name	Key No.	Parts No.	Parts Name
1	740-2802	Drag knob	21	352-0401	Bail holder screw
2	170-7701	Drag washer retainer	22	370-7500	Rotor washer
3	374-9802	Drag D washer	23	B38-6901	Body
4	374-3602	Disc washer	24	B03-4801	Handle screw cap
5	B02-7402	Spool	25	632-4011	Pinion retainer
6	144-1211	Spool click claw spring	26	150-1751	Anti-reverse lever washer
7	B07-5302	Spool click claw	27	B03-9401	Anti-reverse lever
8	320-5901	Spool click claw retainer	28	352-2501	Anti-reverse lever screw
9	372-3501	Spool washer	29	B02-5501	Anti-reverse cam
10	B02-6401	Main shaft	30	B02-6101	Drive gear
11	B02-5702	Rotor	31	B02-6301	Oscillating slider
12	144-3821	Bail spring	32	370-9900	Drive gear washer
13	040-7101	Bail spring cover	33	B02-6601	Oscillating slider pin
14	350-8912	Bail spring cover screw	34	B38-7001	Body cover
15	725-6521	Bail	35	B02-7801	Anti-reverse claw
16	250-1921	Line roller	36	144-8211	Anti-reverse claw spring
17	501-4411	Roller collar	37	351-7703	Anti-reverse claw screw
18	B04-0101	Arm lever	38	351-7801	Body cover screw
19	363-4411	Bail screw	39	B02-7001	Handle
20	363-9001	Arm lever screw			

Sold as one unit  
Spool assembly  
B02-7302