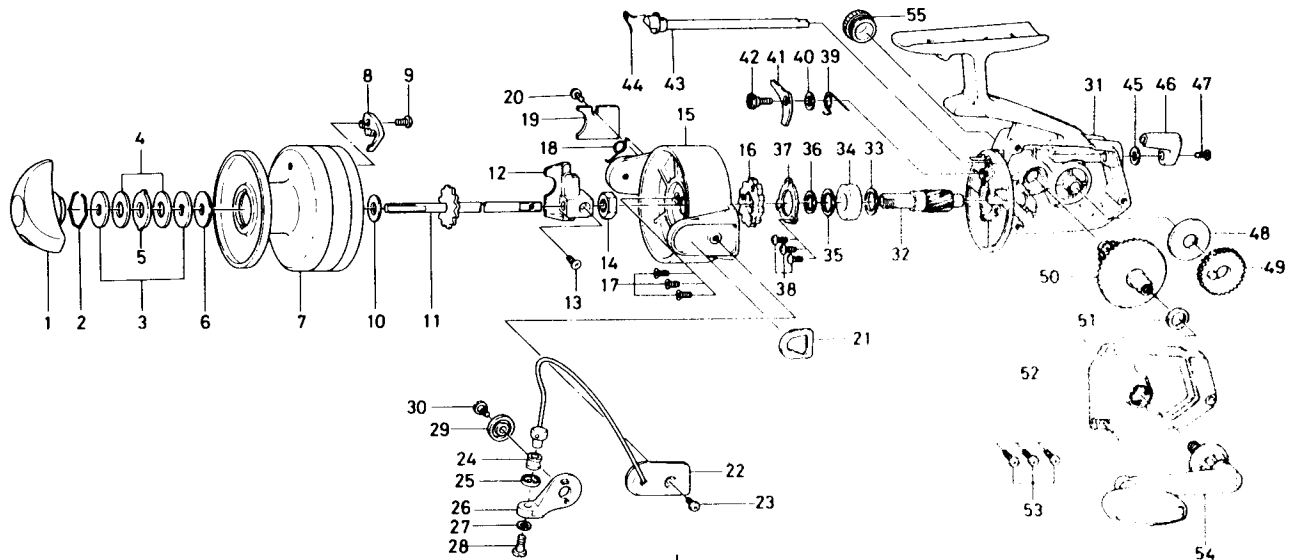


# SPINNING REEL A-400RL



Key No. 2 ~ 9  
6-734-0301

Spool assembly

| Key No. | Parts No. | Parts Name               |
|---------|-----------|--------------------------|
| 1       | 000-8241  | Drag knob                |
| 2       | 170-4511  | Drag washer retainer     |
| 3       | 372-7812  | Drag D washer            |
| 4       | 372-9011  | Disc washer              |
| 5       | 375-5401  | Drag A washer            |
| 6       | 372-7701  | Drag washer A            |
| 7       | 734-0401  | Spool                    |
| 8       | 030-4411  | Spool click claw         |
| 9       | 351-6102  | Spool click claw screw   |
| 10      | 376-1701  | Spool washer             |
| 11      | 710-2214  | Main shaft               |
| 12      | 481-1011  | Oscillating slider       |
| 13      | 351-8901  | Oscillating slider screw |
| 14      | 340-8301  | Rotor nut                |
| 15      | 201-2222  | Rotor                    |
| 16      | 280-4101  | Ratchet                  |
| 17      | 352-0901  | Ratchet screw            |
| 18      | 145-1201  | Bail spring              |
| 19      | 633-0701  | Bail spring cover        |
| 20      | 351-1801  | Bail spring cover screw  |
| 21      | 210-3501  | Balancer                 |
| 22      | 725-1215  | Bail                     |
| 23      | 351-6401  | Bail holder screw        |
| 24      | 250-4321  | Line roller              |
| 25      | 501-2001  | Roller collar            |
| 26      | 231-1901  | Arm lever                |
| 27      | 375-1101  | Bail washer              |
| 28      | 363-3111  | Bail screw               |

| Key No. | Parts No. | Parts Name                      |
|---------|-----------|---------------------------------|
| 29      | 130-3201  | Bail holder cap                 |
| 30      | 363-1901  | Arm lever screw                 |
| 31      | 701-1002  | Body                            |
| 32      | 402-4611  | Pinion gear                     |
| 33      | 371-2822  | Pinion adjusting washer         |
| 34      | 636-2611  | Shaft metal                     |
| 35      | 371-2822  | Pinion washer B                 |
| 36      | 372-8600  | Pinion washer A                 |
| 37      | 634-7011  | Pinion collar ret. washer       |
| 38      | 351-6601  | Pinion collar ret. washer screw |
| 39      | 142-3421  | Anti-reverse claw spring        |
| 40      | 373-2701  | Anti-reverse claw washer        |
| 41      | 110-9701  | Anti-reverse claw               |
| 42      | 362-4211  | Anti-reverse claw screw         |
| 43      | 710-6111  | Anti-reverse cam                |
| 44      | 144-0311  | Anti-reverse cam spring         |
| 45      | 373-2700  | Anti-reverse lever washer       |
| 46      | 541-1902  | Anti-reverse lever              |
| 47      | 352-2501  | Anti-reverse lever screw        |
| 48      | 374-5400  | Oscillating gear washer         |
| 49      | 412-3611  | Oscillating gear                |
| 50      | 413-8501  | Drive gear                      |
| 51      | 371-2820  | Drive gear washer               |
| 52      | 706-7602  | Body cover                      |
| 53      | 351-8501  | Body cover screw                |
| 54      | 747-1501  | Handle                          |
| 55      | 363-7401  | Handle screw cap                |