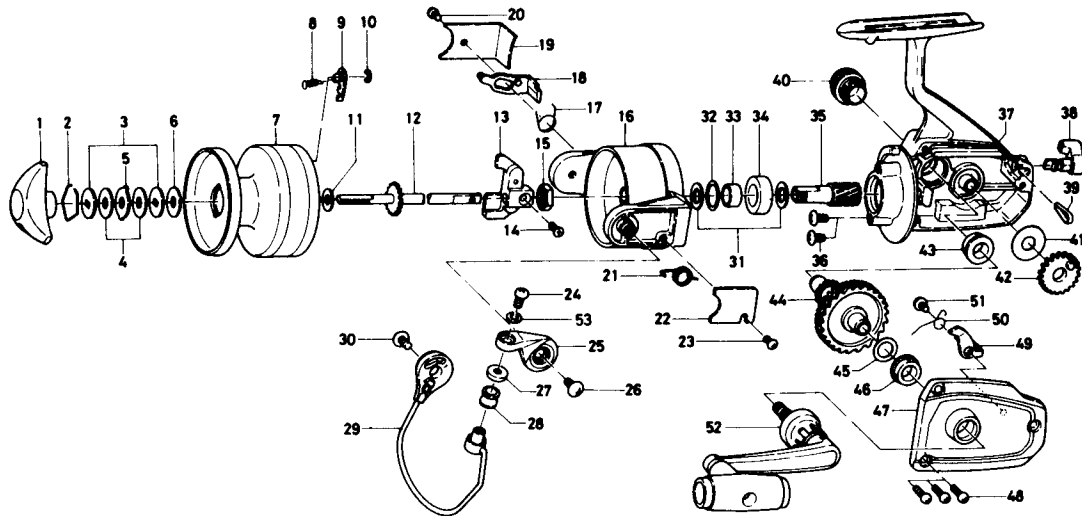


SPINNING REEL A-250X



Key No.	Parts No.	Parts Name
1	740-2103	Drag knob
2	170-4001	Drag washer retainer
3	373-2502	Drag D washer
4	374-2901	Disc washer
5	375-5301	Drag A washer
6	370-6901	Drag washer A
7	734-1703	Spool
8	145-2101	Spool click claw spring
9	B07-8201	Spool click claw
10	320-1402	Spool click claw retainer
11	374-9001	Spool washer
12	B19-7901	Main shaft
13	481-2211	Oscillating slider
14	351-8901	Oscillating slider screw
15	B10-5701	Rotor nut
16	B19-7101	Rotor
17	B18-4701	Bail kick lever spring
18	B19-7501	Bail kick lever
19	B19-7601	Bail kick lever cover
20	352-0402	Bail kick lever cover screw
21	B19-7201	Bail spring
22	B19-7401	Bail spring cover
23	352-0402	Bail spring cover screw
24	B11-2801	Bail screw
25	B19-7301	Arm lever
26	352-1103	Arm lever screw
27	501-2001	Roller collar

Key No.	Parts No.	Parts Name
28	250-4321	Line roller
29	B19-7701	Bail
30	352-1103	Bail holder screw
31	371-2822	Pinion washer A
32	372-8600	Pinion washer B
33	501-5101	Pinion collar
34	636-2611	Shaft metal
35	402-4511	Pinion gear
36	353-8202	Shaft metal screw
37	B19-6801	Body
38	B18-4101	Anti-reverse lever
39	B11-4301	Anti-reverse lever spring
40	B07-4704	Handle screw cap
41	374-6600	Oscillating gear washer
42	413-2212	Oscillating gear
43	B07-3301	Bearing metal
44	413-8401	Drive gear
45	371-2800	Drive gear washer
46	B07-3301	Bearing metal
47	B19-8101	Body cover
48	351-5904	Body cover screw
49	110-9622	Anti-reverse claw
50	144-2801	Anti-reverse claw spring
51	351-6102	Anti-reverse claw screw
52	B19-8401	Handle
53	B11-2701	Bail washer