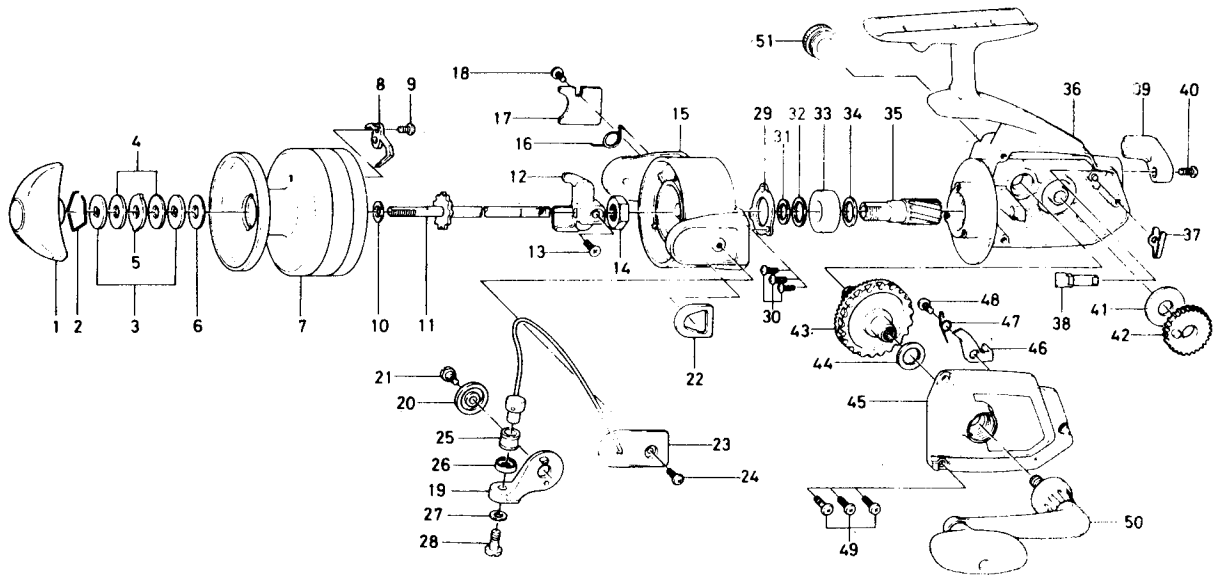


## SPINNING REEL A-250RL



**KEY NO. 2 ~ 9**  
**6-734-0101**

**SPOOL ASSEMBLY**

Key No.	Parts No.	Parts Name
1	740-2103	Drag knob
2	170-4001	Drag washer retainer
3	373-2502	Drag D washer
4	374-2901	Disc washer
5	375-5301	Drag A washer
6	370-6901	Dreg washer A
7	734-0201	Spool
8	030-4511	Spool click claw
9	351-6101	Spool click claw screw
10	374-9001	Spool washer
11	711-3401	Main shaft
12	481-2211	Oscillating slider
13	351-8901	Oscillating slider screw
14	340-8301	Rotor nut
15	201-7708	Rotor
16	145-1101	Bail spring
17	632-6411	Bail spring cover
18	351-1801	Bail lever cover screw
19	231-1901	Arm lever
20	130-3201	Bail holder cap
21	363-1901	Arm lever screw
22	210-3111	Balancer
23	725-5621	Bail
24	351-6601	Bail holder screw
25	250-4321	Line roller
26	501-2001	Roller collar

Key No.	Parts No.	Parts Name
27	375-1101	Bail washer
28	363-3111	Bail screw
29	634-7011	Pinion collar ret. washer
30	351-6601	Pinion collar ret. washer screw
31	372-8600	Pinion washer A
32	371-2822	Pinion washer B
33	636-2611	Shaft metal
34	371-2822	Pinion adjusting washer
35	402-4511	Pinion gear
36	701-0902	Body
37	150-6731	Anti-reverse cam spring
38	460-4721	Anti-reverse cam
39	541-3311	Anti-reverse lever
40	352-2501	Anti-reverse lever screw
41	374-6600	Oscillating gear washer
42	413-2212	Oscillating gear
43	413-8401	Drive gear
44	371-2800	Drive gear washer
45	706-7504	Body cover
46	110-9622	Anti-reverse claw
47	144-2801	Anti-reverse claw spring
48	351-6102	Anti-reverse claw screw
49	351-8501	Body cover screw
50	747-1401	Handle
51	363-7401	Handle screw cap