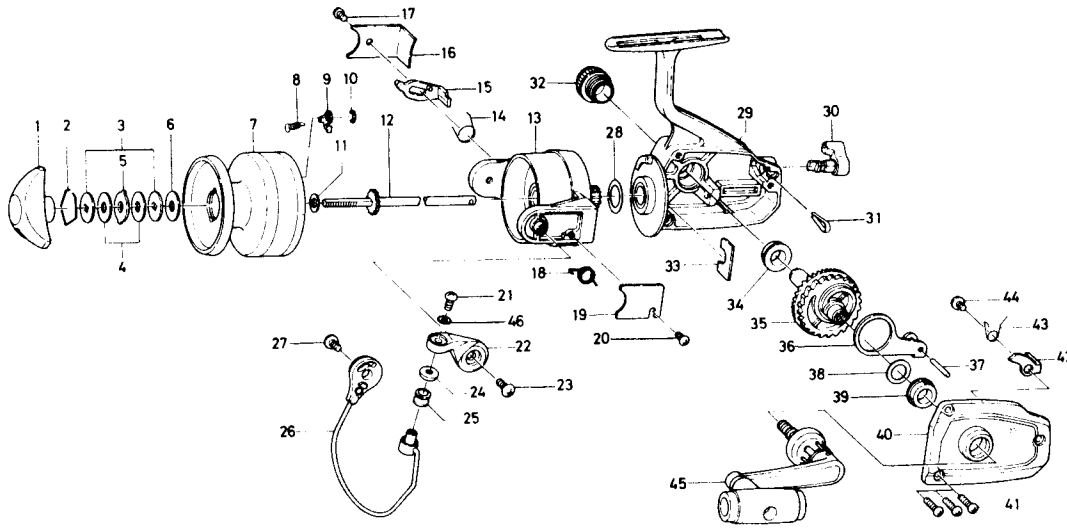


SPINNING REEL A-160X



Key No.	Parts No.	Parts Name	
1	740-2103	Drag knob	
2	170-4001	Drag washer retainer	
3	373-2502	Drag D washer	
4	374-2901	Disc washer	
5	375-5301	Drag A washer	Sold as one unit Spool assembly
6	370-6901	Drag washer A	
7	B18-0402	Spool	6-B18-0603
8	145-2101	Spool click claw spring	
9	B07-5301	Spool click claw	
10	320-5901	Spool click claw retainer	
11	371-8331	Spool washer	
12	B18-5301	Main shaft	
13	B18-4201	Rotor	
14	B18-4701	Bail kick lever spring	
15	B18-4801	Bail kick lever	
16	B18-4901	Bail kick lever cover	
17	352-0402	Bail kick lever cover screw	
18	B18-4401	Bail spring	
19	B18-4601	Bail spring cover	
20	352-0402	Bail spring cover screw	
21	353-8202	Bail screw	
22	B18-4501	Arm lever	
23	353-8202	Arm lever screw	

Key No.	Parts No.	Parts Name
24	501-1601	Roller collar
25	250-4221	Line roller
26	B18-5001	Bail
27	353-8202	Bail holder screw
28	370-9800	Rotor washer
29	B18-3801	Body
30	B18-4101	Anti-reverse lever
31	B11-4301	Anti-reverse lever spring
32	B07-4704	Handle screw cap
33	632-6601	Pinion retainer
34	B07-3301	Bearing metal
35	B20-3201	Drive gear
36	480-7501	Oscillating slider
37	121-1211	Oscillating slider pin
38	371-2800	Drive gear washer
39	B07-3301	Bearing metal
40	B18-5501	Body cover
41	351-5904	Body cover screw
42	111-7101	Anti-reverse claw
43	142-3961	Anti-reverse claw spring
44	351-6102	Anti-reverse claw screw
45	B18-5801	Handle
46	375-1001	Bail washer