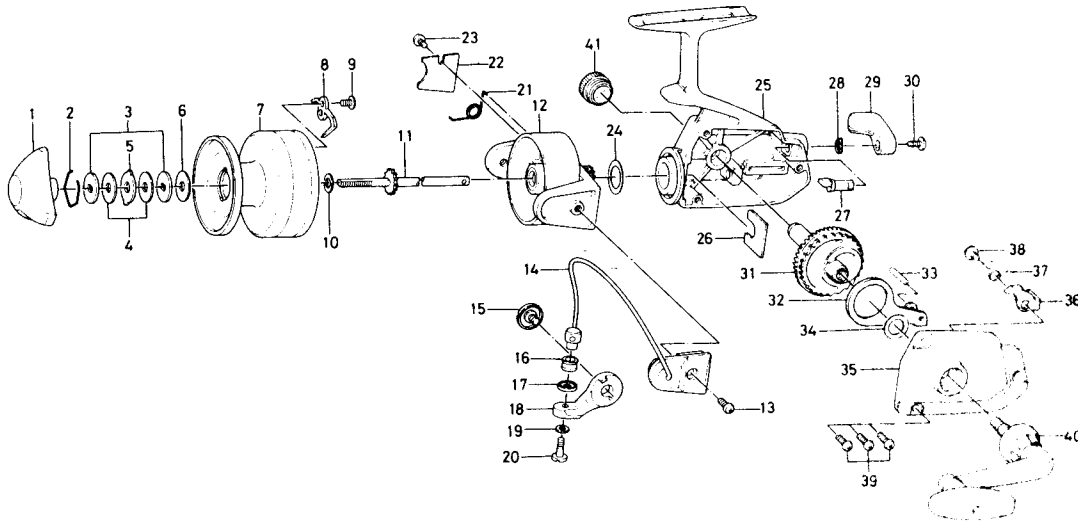


SPINNING REEL A-160RL



Key No.	Parts No.	Parts Name
1	740-2103	Drag knob
2	170-4001	Drag washer retainer
3	373-2502	Drag D washer
4	374-2901	Disc washer
5	375-5301	Drag A washer
6	370-6901	Drag washer A
7	734-0003	Spool
8	030-4511	Spool click claw
9	351-7701	Spool click claw screw
10	371-8331	Spool washer
11	710-2421	Main shaft
12	736-8202	Rotor
13	351-6601	Bail holder screw
14	725-8401	Bail
15	372-3411	Arm lever screw
16	250-4221	Line roller
17	501-1601	Roller collar
18	231-3401	Arm lever
19	375-1001	Bail washer
20	353-1811	Bail screw
21	141-7821	Bail spring

Sold as one unit
Spool assembly
6-733-9903

Key No.	Parts No.	Parts Name
22	632-6501	Bail spring cover
23	351-1801	Bail spring cover screw
24	370-9800	Rotor washer
25	701-6801	Body
26	632-6601	Pinion retainer
27	460-7041	Anti-reverse cam
28	150-1751	Anti-reverse lever washer
29	541-3311	Anti-reverse lever
30	351-8301	Anti-reverse lever screw
31	414-2801	Drive gear
32	480-7501	Oscillating slider
33	121-1211	Oscillating slider pin
34	371-2800	Drive gear washer
35	707-1201	Body cover
36	110-7201	Anti-reverse claw
37	142-3961	Anti-reverse claw spring
38	351-7701	Anti-reverse claw screw
39	351-5901	Body cover screw
40	747-1101	Handle
41	363-7401	Handle screw cap