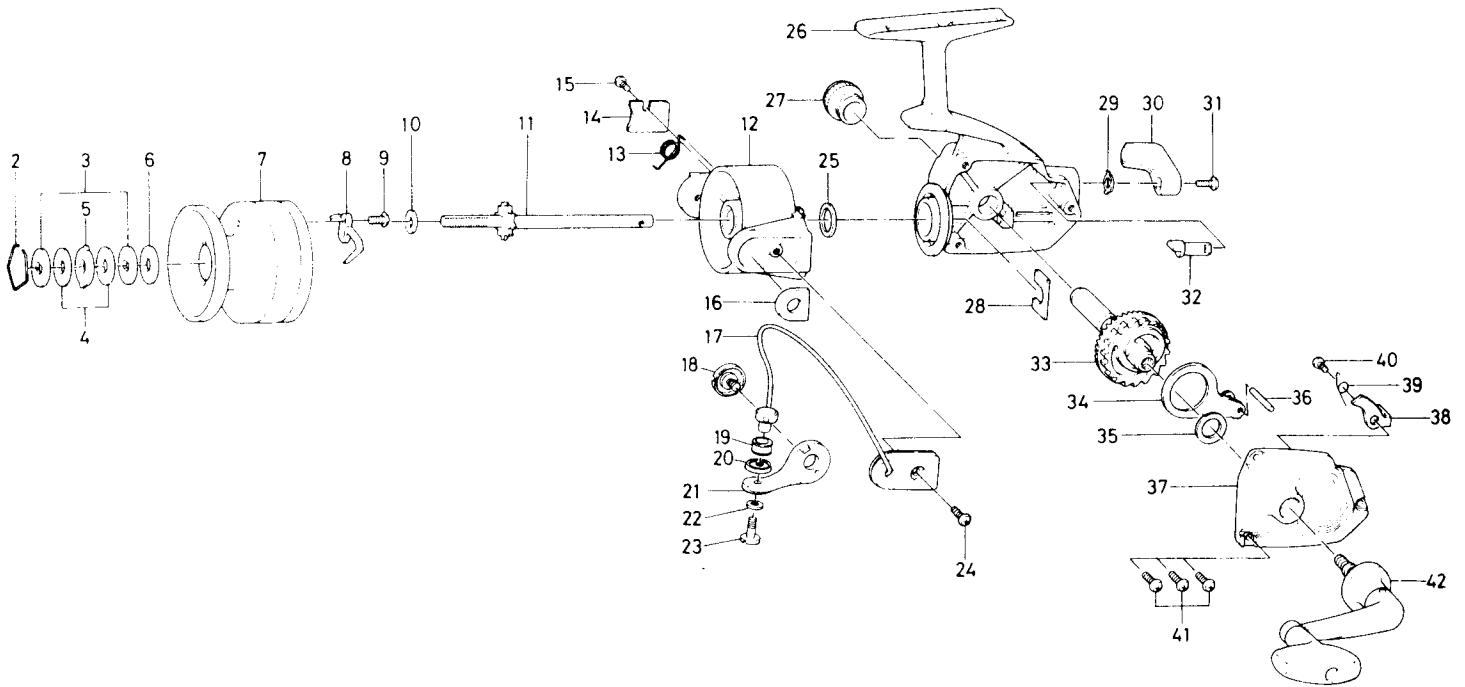


**SPINNING REEL A-130RL**



**KEY NO. 2 ~ 9**  
**6-733-9701**

**SPOOL ASSEMBLY**

Key No.	Parts No.	Parts Name
1	740-2702	Drag knob
2	170-4801	Drag washer retainer
3	373-2502	Drag D washer
4	374-2901	Disc washer
5	375-5301	Drag A washer
6	370-6901	Drag washer A
7	733-9801	Spool
8	030-4511	Spool click claw
9	351-7701	Spool click claw screw
10	374-9002	Spool washer
11	711-3301	Main shaft
12	736-1302	Rotor
13	144-4912	Bail spring
14	634-1501	Bail spring cover
15	351-1801	Bail spring cover screw
16	210-3701	Balancer
17	725-6011	Bail
18	362-3411	Arm lever screw
19	250-4221	Line roller
20	501-1601	Roller collar
21	231-3401	Arm lever

Key No.	Parts No.	Parts Name
22	375-1001	Bail washer
23	353-1811	Bail screw
24	351-6601	Bail holder screw
25	372-8600	Rotor washer
26	701-2302	Body
27	363-7401	Handle screw cap
28	632-6601	Pinion retainer
29	150-1751	Anti-reverse lever washer
30	541-3311	Anti-reverse lever
31	351-8301	Anti-reverse lever screw
32	460-7041	Anti-reverse cam
33	413-8301	Drive gear
34	481-2301	Oscillating slider
35	371-2800	Drive gear washer
36	121-1211	Oscillating slider pin
37	706-7404	Body cover
38	111-4501	Anti-reverse claw
39	144-8211	Anti-reverse claw spring
40	351-7701	Anti-reverse claw screw
41	351-8501	Body cover screw
42	747-1301	Handle