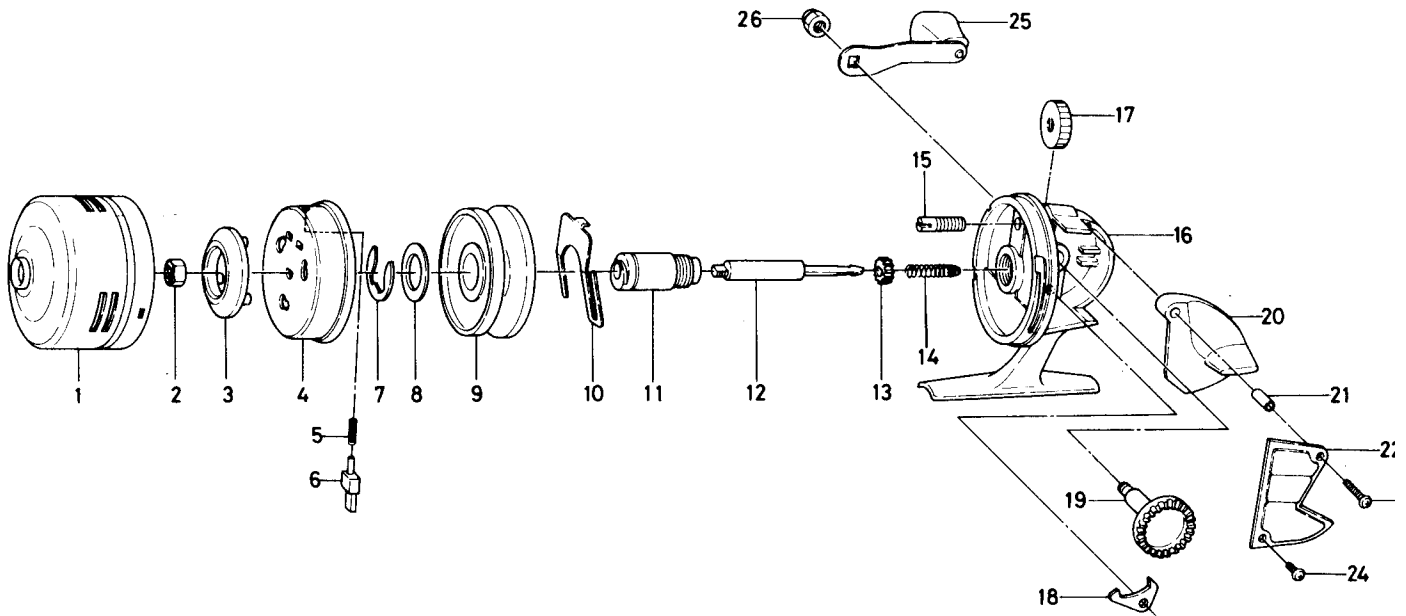


SPINCASTING REEL 9300C



KEY NO. 3 ~ 6
6-006-9031

ROTOR ASSEMBLY

KEY NO. 12 ~ 14
6-710-6601

MAIN SHAFT ASSEMBLY

Key No.	Parts No.	Parts Name
1	755-1501	Front cover
2	340-9211	Rotor nut
3	330-0611	Line stopper
4	520-4611	Rotor
5	140-0411	Pick up pin spring
6	180-2831	Pick up pin
7	320-0351	Spool retainer
8	370-4512	Spool washer
9	731-2401	Spool
10	150-6321	Drag adjusting plate
11	381-0431	Shaft metal
12	391-8011	Main shaft
13	400-3211	Pinion gear

Key No.	Parts No.	Parts Name
14	141-2521	Main shaft spring
15	470-1301	Drag adjusting screw
16	192-6901	Body
17	440-8301	Drag adjusting dial
18	110-2721	Anti-reverse claw
19	411-8521	Drive gear
20	290-6111	Push button
21	500-4311	Push button sleeve
22	008-0601	Body cover
23	351-6811	Body cover screw (long)
24	351-1002	Body cover screw (short)
25	005-0801	Handle
26	340-9313	Handle nut