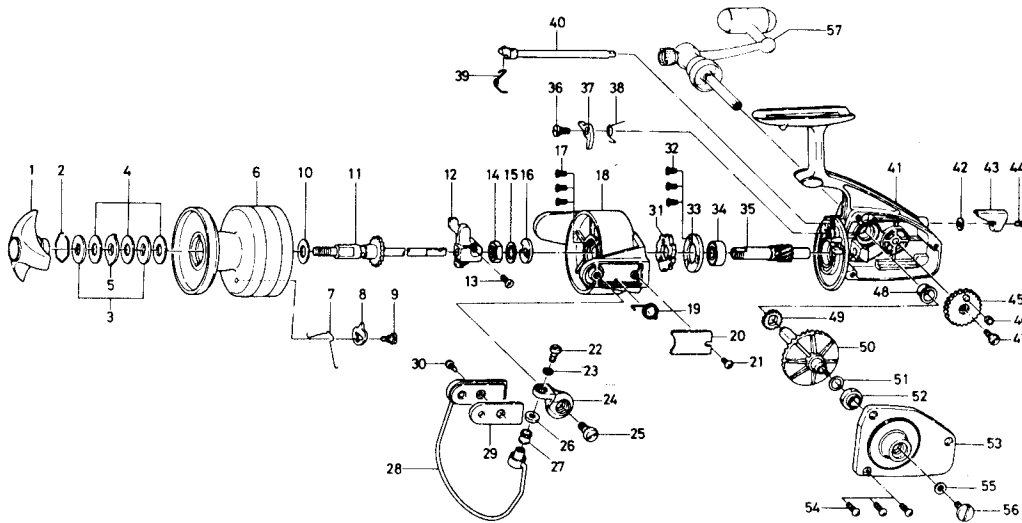


SPINNING REEL 9000C



Key No.	Parts No.	Parts Name	Key No.	Parts No.	Parts Name
1	003-1805	Drag knob	30	351-6101	Bail holder screw
2	170-4101	Drag washer retainer	31	280-4001	Ratchet
3	372-3711	Drag D washer	32	351-8901	Ball bearing ret. washer screw
4	372-3003	Disc washer	33	633-1101	Ball bearing ret. washer
5	372-3832	Drag A washer	34	635-5001	Ball bearing
6	B23-0601	Spool	35	B26-3201	Pinion gear
7	143-6411	Spool click claw spring	36	361-6901	Anti-reverse claw screw
8	030-4001	Spool click claw	37	110-6011	Anti-reverse claw
9	361-9801	Spool click claw screw	38	142-0301	Anti-reverse claw spring
10	372-9601	Spool washer	39	142-3511	Anti-reverse cam spring
11	003-1931	Main shaft	40	003-2131	Anti-reverse cam
12	480-5221	Oscillating slider	41	003-2431	Body
13	351-9001	Oscillating slider screw	42	373-2700	Anti-reverse lever washer
14	B10-5701	Rotor nut	43	540-5801	Anti-reverse lever
15	160-1712	Rotor washer	44	351-1801	Anti-reverse lever screw
16	372-9301	Rotor retaining washer	45	411-7111	Oscillating gear
17	351-8901	Ratchet screw	46	120-9301	Oscillating collar
18	200-8503	Rotor	47	361-7301	Oscillating gear screw
19	142-0201	Bail spring	48	501-6201	Bearing metal A
20	633-1311	Bail spring cover	49	401-1701	Oscillating pinion
21	351-6101	Bail spring cover screw	50	B26-3301	Drive gear
22	363-3111	Bail screw	51	371-2800	Drive gear washer
23	375-1101	Bail washer	52	501-6101	Bearing metal B
24	B21-7601	Arm lever	53	003-4217	Body cover
25	B21-7701	Arm lever screw	54	351-8801	Body cover screw
26	501-2001	Roller collar	55	372-3501	Handle washer
27	250-4501	Line roller	56	B40-9401	Handle screw
28	725-6901	Bail	57	B31-8602	Handle
29	210-2901	Balancer			