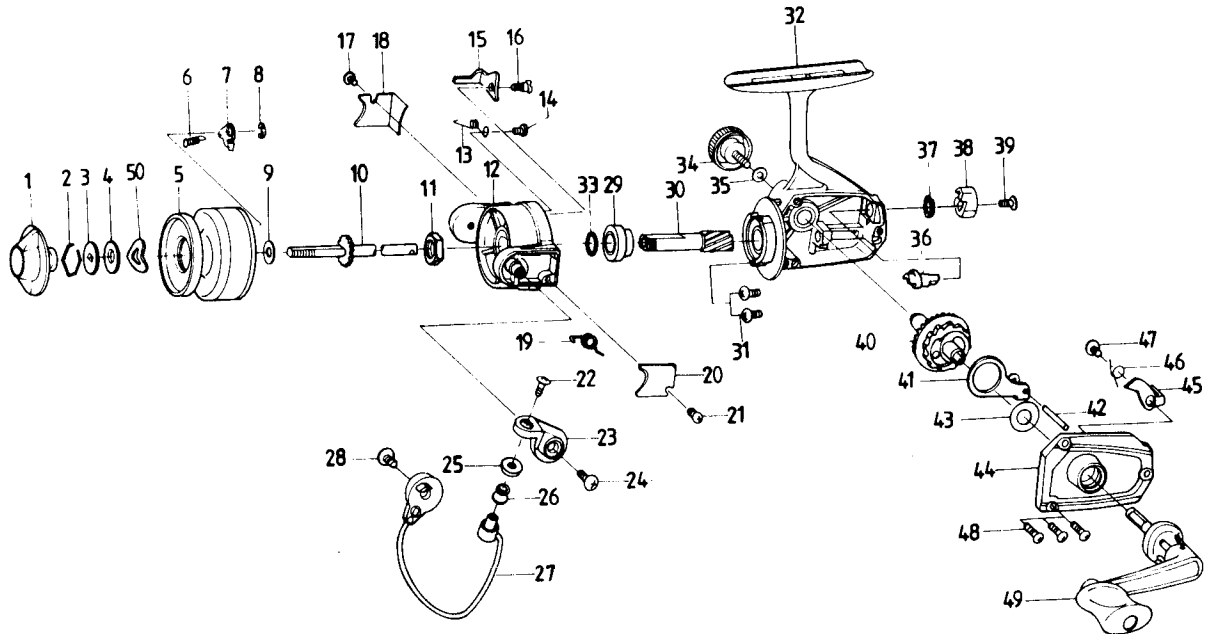


SPINNING REEL 70XX



Key No. 2 ~ 8

B02-7305

Spool assembly

Key No.	Parts No.	Parts Name	Key No.	Parts No.	Parts Name
1	K07-9601	Drag knob	26	250-1921	Line roller
2	170-7701	Drag washer retainer	27	B60-4003	Bail
3	374-9802	Drag D washer	28	351-6102	Bail holder screw
4	374-3602	Disc washer	29	K08-0501	Bushing
5	B02-7402	Spool	30	K07-5101	Pinion gear
6	144-1211	Spool click claw spring	31	351-1804	Bearing retainer screw
7	B07-5302	Spool click claw	32	K08-5301	Body
8	320-5901	Spool click claw retainer	33	E09-0701	Pinion washer
9	B78-8501	Spool washer	34	B92-5001	Handle screw cap
10	B60-5101	Main shaft	35	B92-4902	Handle lock washer
11	341-9201	Rotor nut	36	B02-5501	Anti-reverse cam
12	K07-9303	Rotor	37	150-1751	Anti-reverse lever washer
13	353-8402	Bail kick lever spring	38	B03-9401	Anti-reverse lever
14	B60-4201	Bail kick lever spring screw	39	352-2502	Anti-reverse lever screw
15	B59-1101	Bail kick lever	40	K05-8501	Drive gear
16	350-8913	Bail kick lever screw	41	B02-6301	Oscillating slider
17	B60-4304	Bail kick lever cover screw	42	B02-6601	Oscillating slider pin
18	B60-4303	Bail kick lever cover	43	370-9900	Drive gear washer
19	B60-3904	Bail spring	44	K08-5101	Body cover
20	350-8913	Bail spring cover	45	B02-7801	Anti-reverse claw
21	B67-9301	Bail spring cover screw	46	144-8211	Anti-reverse claw spring
22	352-2502	Bail screw	47	351-7703	Anti-reverse claw screw
23	B59-0701	Arm lever	48	351-7803	Body cover screw
24	B68-7901	Arm lever screw	49	B02-7001	Handle
25	501-4412	Roller collar	50	150-8101	Drag washer