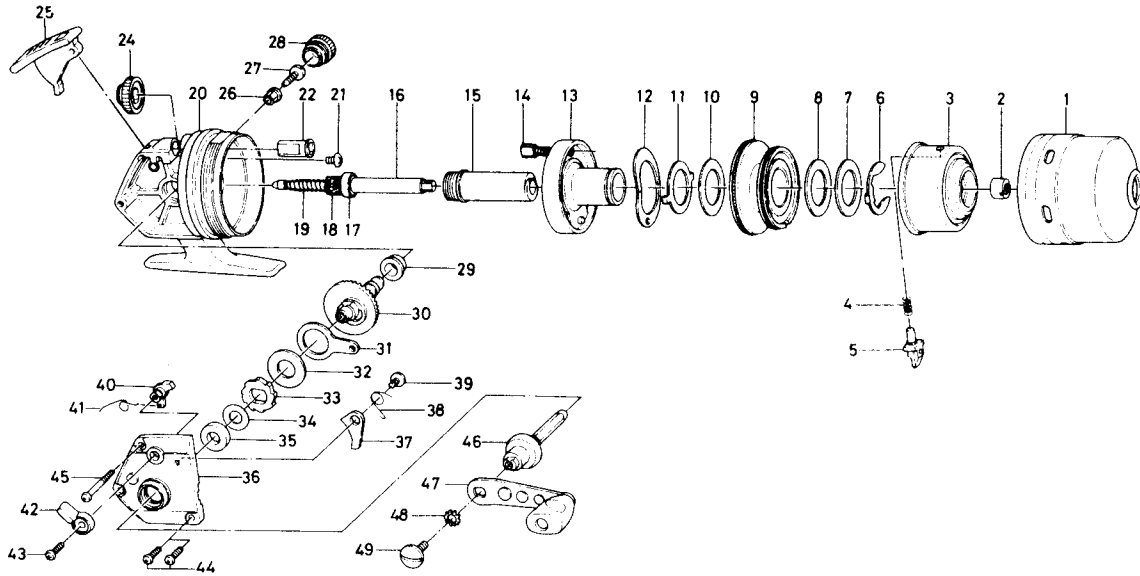




SPINCASTING REEL 512RL



KEY NO. 3 ~ 5
6-736-7801

ROTOR ASSEMBLY

KEY NO. 16 ~ 19
6-711-5301

MAIN SHAFT ASSEMBLY

Key No.	Parts No.	Parts Name
1	755-2402	Front cover
2	342-4911	Rotor nut
3	736-7901	Rotor
4	142-5111	Pick up pin spring
5	783-0201	Pick up pin
6	321-1001	Spool retainer
7	376-1901	Spool washer A
8	376-2101	Spool washer B
9	734-3411	Spool
10	376-2101	Drag washer A
11	376-2001	Drag washer B
12	151-9101	Drag adjusting plate
13	783-0132	Oscillating plate
14	364-0531	Drag adjusting screw
15	382-1821	Shaft metal
16	394-1301	Main shaft
17	633-8811	Ball bearing
18	402-6701	Pinion gear
19	142-7711	Main shaft spring
20	701-5602	Body
21	352-2201	Collar stopper screw
22	502-0101	Drag adjusting collar
24	B09-4401	Drag adjusting dial
25	781-6508	Push button

Key No.	Parts No.	Parts Name
26	501-8501	Handle screw holder
27	363-8511	Handle screw A
28	B03-4803	Handle screw cap
29	637-4801	Drive gear shaft holder
30	414-1901	Drive gear
31	481-3111	Oscillating slider
32	375-0502	Drive gear washer A
33	280-9301	Ratchet
34	370-5100	Drive gear washer B
35	637-4511	Bearing metal
36	063-4003	Body cover
37	111-7011	Anti-reverse claw
38	144-5111	Anti-reverse claw spring
39	351-7701	Anti-reverse claw screw
40	461-4501	Anti-reverse cam
41	B09-1401	Anti-reverse cam spring
42	541-3132	Anti-reverse lever
43	351-4701	Anti-reverse lever screw
44	353-0001	Body cover screw (short)
45	353-4911	Body cover screw (long)
46	071-0504	Drive gear shaft
47	747-8201	Handle
48	160-8001	Handle washer
49	363-5301	Handle screw B