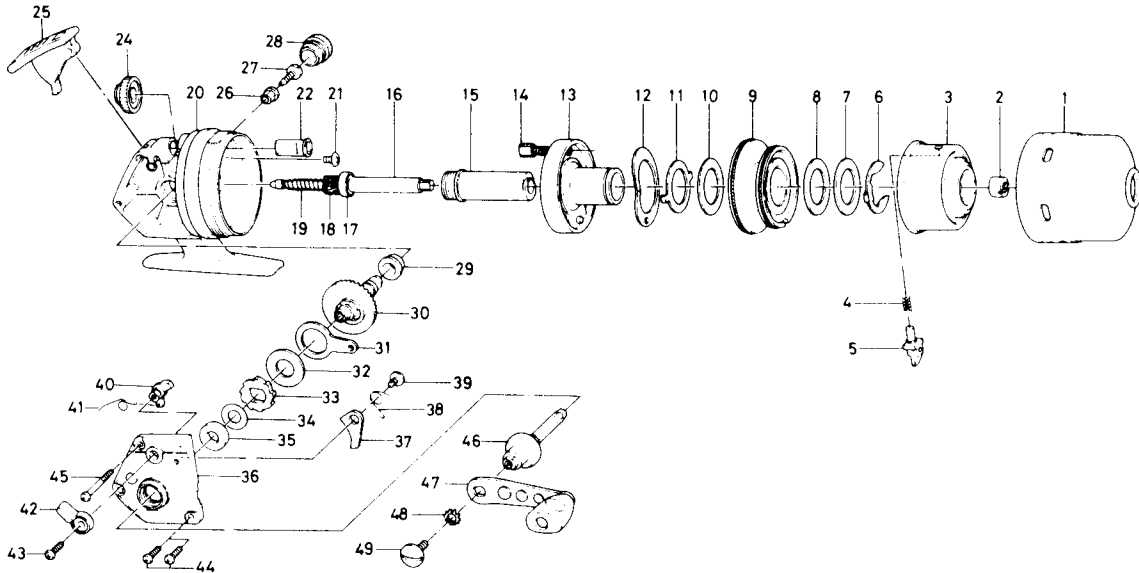


## SPINCASTING REEL 510RL



KEY NO. 3 ~ 5  
6-736-8001

### ROTOR ASSEMBLY

KEY No. 16 ~ 19  
6-711-5201

### MAIN SHAFT ASSEMBLY

Key No.	Parts No.	Parts Name	Key No.	Parts No.	Parts Name
1	755-2302	Front cover	26	501-8501	Handle screw holder
2	342-4911	Rotor nut	27	363-8511	Handle screw A
3	736-8101	Rotor	28	803-4803	Handle screw cap
4	142-5111	Pick up pin spring	29	637-4801	Drive gear shaft holder
5	783-0501	Pick up pin	30	414-1801	Drive gear
6	321-1001	Spool retainer	31	481-3011	Oscillating slider
7	376-1901	Spool washer A	32	375-0502	Drive gear washer A
8	376-2101	Spool washer B	33	280-9301	Ratchet
9	734-3611	Spool	34	370-5100	Drive gear washer B
10	376-2101	Drag washer A	35	636-6601	Bearing metal
11	376-2001	Drag washer B	36	063-3904	Body cover
12	151-8901	Drag adjusting plate	37	111-7011	Anti-reverse claw
13	782-9932	Oscillating plate	38	144-5111	Anti-reverse claw spring
14	364-0431	Drag adjusting screw	39	351-7701	Anti-reverse claw screw
15	382-1721	Shaft metal	40	461-4501	Anti-reverse cam
16	394-1101	Main shaft	41	809-1401	Anti-reverse cam spring
17	633-8811	Ball bearing	42	541-3132	Anti-reverse lever
18	402-6401	Pinion gear	43	351-4701	Anti-reverse lever screw
19	142-7711	Main shaft spring	44	353-0001	Body cover screw (short)
20	701-5702	Body	45	353-4911	Body cover screw (long)
21	352-2201	Collar stopper screw	46	071-0503	Drive gear shaft
22	502-0101	Drag adjusting collar	47	747-8101	Handle
24	B09-4401	Drag adjusting dial	48	160-8001	Handle washer
25	781-6312	Push button	49	363-5301	Handle screw B