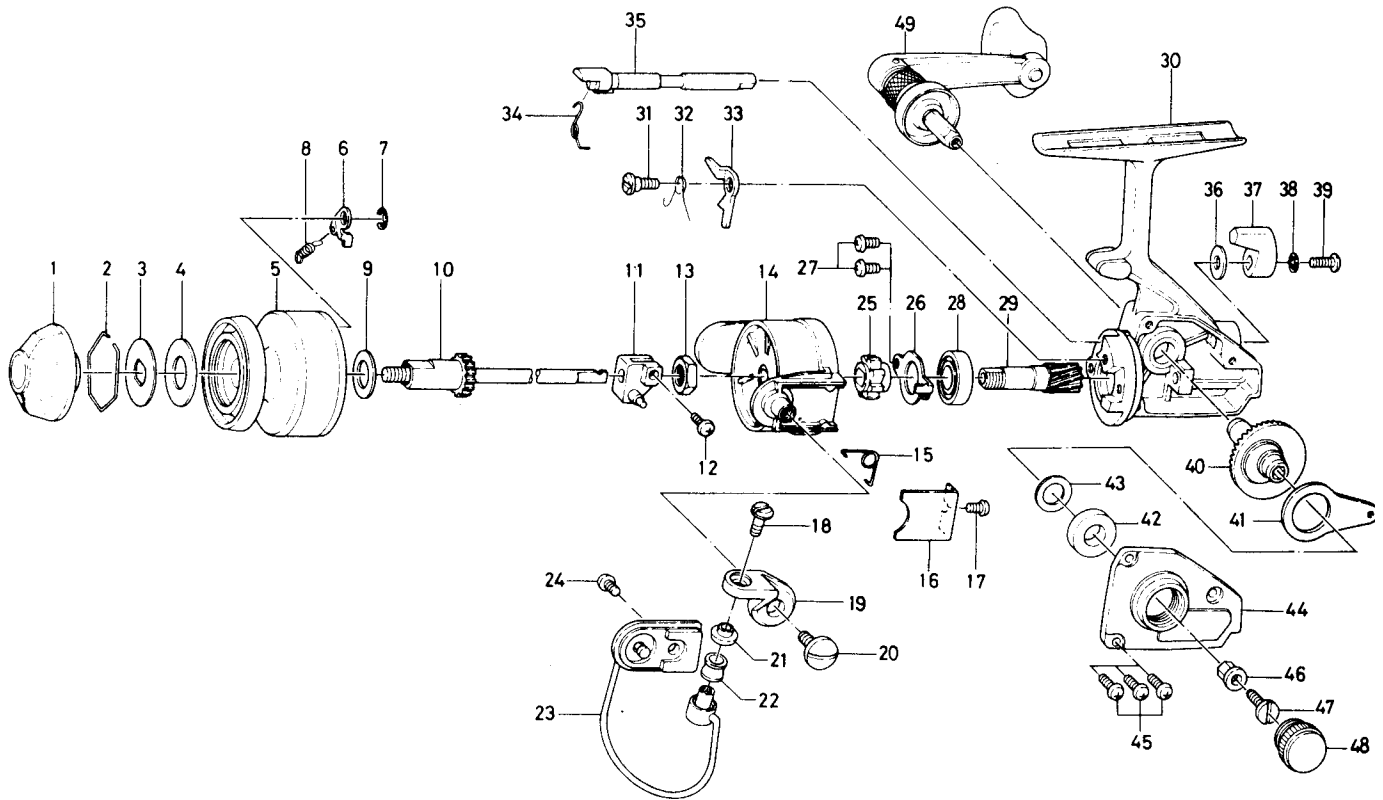


SPINNING REEL 500C



KEY NO. 2 ~ 8
6-B08-0401

SPOOL ASSEMBLY

Key No.	Parts No.	Parts Name
1	740-4301	Drag knob
2	171-7701	Drag washer retainer
3	376-1601	Drag D washer
4	373-3708	Disc washer
5	808-0501	Spool
6	807-5301	Spool click claw
7	320-5901	Spool click claw retainer
8	145-2101	Spool click claw spring
9	376-4501	Spool washer
10	382-1601	Main shaft
11	637-3801	Oscillating support
12	351-1101	Oscillating slider screw
13	342-4001	Rotor nut
14	202-0811	Rotor
15	144-3821	Bail spring
16	637-3401	Bail spring cover
17	351-0901	Bail spring cover screw
18	363-4411	Bail screw
19	B07-7601	Arm lever
20	363-9001	Arm lever screw
21	501-4411	Roller collar
22	250-1921	Line roller
23	725-7901	Bail
24	352-0401	Bail holder screw
25	280-8701	Ratchet

Key No.	Parts No.	Parts Name
26	321-0701	Ball bearing ret. washer
27	351-0901	Ball bearing ret. washer screw
28	637-5701	Ball bearing
29	403-1801	Pinion gear
30	B15-6201	Body
31	363-8801	Anti-reverse claw screw
32	145-0401	Anti-reverse claw spring
33	111-8001	Anti-reverse claw
34	145-0301	Anti-reverse cam spring
35	461-7402	Anti-reverse cam
36	371-6903	Anti-reverse lever washer A
37	541-3701	Anti-reverse lever
38	160-8601	Anti-reverse lever washer B
39	353-4401	Anti-reverse lever screw
40	414-1001	Drive gear
41	481-2601	Oscillating slider
42	636-6611	Bearing metal
43	375-8500	Drive gear washer
44	B15-6301	Body cover
45	351-1101	Body cover screw
46	501-8501	Handle screw holder
47	363-8511	Handle screw
48	B03-4802	Handle screw cap
49	748-0801	Handle