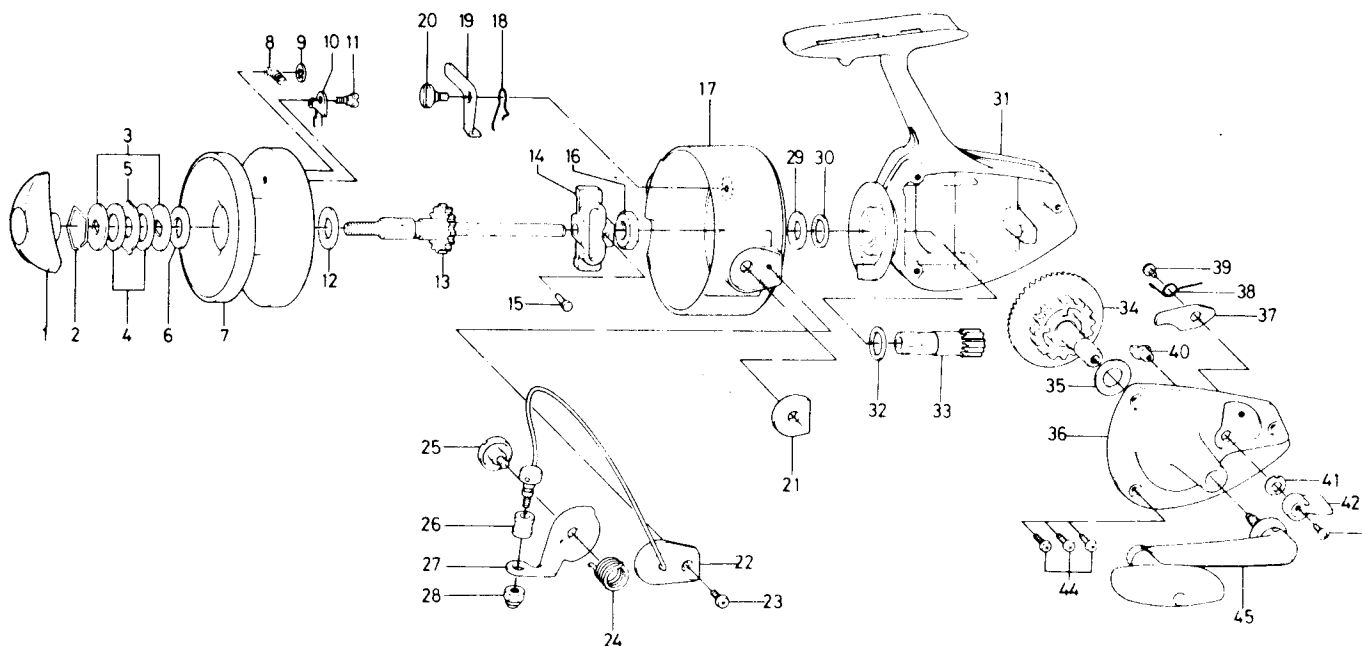


# SPINNING REEL 407A



**KEY NO. 2 ~ 11**  
**6-733-8611**

Key No.	Parts No.	Parts Name
1	000-8237	Drag knob
2	170-4101	Drag washer retainer
3	372-3711	Drag D washer
4	372-6504	Disc washer
5	372-3832	Drag washer A
6	372-3003	Drag washer A
*7	514-3811	Spool
8	140-2221	Spool click claw spring
9	320-9701	Spool click claw spring retainer
10	030-6802	Spool click claw
11	350-1931	Spool click claw screw
12	372-9601	Spool washer
13	711-4701	Main shaft
14	481-2801	Oscillating slider
15	121-7001	Oscillating slider pin
16	340-8301	Rotor nut
17	202-1203	Rotor
18	140-6231	Bail kick lever spring
19	570-6821	Bail kick lever
20	363-1501	Bail kick lever screw
21	210-4301	Balancer
22	720-2801	Bail
23	351-6401	Bail holder screw

**SPOOL ASSEMBLY**

Key No.	Parts No.	Parts Name
24	141-2801	Bail spring
25	361-6413	Arm lever screw
26	250-2821	Line roller
27	231-3101	Arm lever
28	340-8501	Bail nut
29	370-7516	Rotor washer A
30	371-6400	Rotor washer B
31	701-4404	Body
32	371-6423	Pinion washer
33	403-2301	Pinion gear
34	414-1401	Drive gear
35	371-6400	Drive gear washer
36	063-3303	Body cover
37	111-3501	Anti-reverse claw
38	144-0001	Anti-reverse claw spring
39	351-6102	Anti-reverse claw screw
40	461-2201	Anti-reverse cam
41	150-1751	Anti-reverse lever washer
42	540-3711	Anti-reverse lever
43	350-1931	Anti-reverse lever screw
44	351-5901	Body cover screw
45	747-6801	Handle

\*Not sold separately. See Spool Assembly.