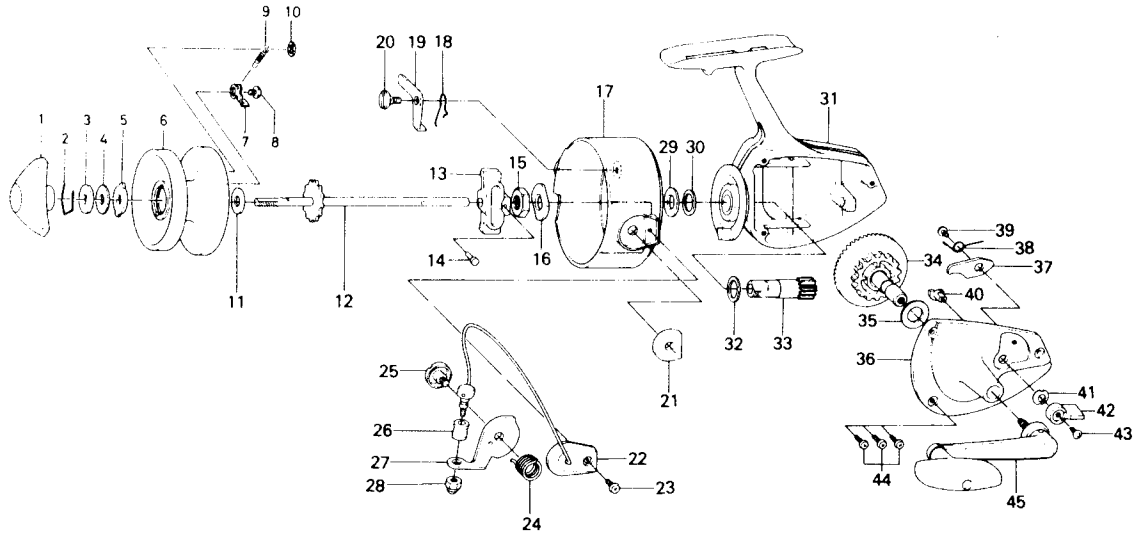


SPINNING REEL 406A



KEY NO. 2 ~ 10
6-000-4351

SPOOL ASSEMBLY

Key No.	Parts No.	Parts Name
1	005-1805	Drag knob
2	170-4001	Drag washer retainer
3	372-0801	Drag D washer
4	370-6901	Disc washer
5	375-5302	Drag A washer
*6	511-3961	Spool
7	040-0131	Spool click claw
8	360-1441	Spool click claw screw
9	140-2221	Spool click claw spring
10	320-9721	Spool click claw spring retainer
11	371-2731	Spool washer
12	710-8501	Main shaft
13	481-0701	Oscillating slider
14	121-7001	Oscillating slider pin
15	340-8301	Rotor nut
16	372-4901	Rotor retaining washer
17	201-7315	Rotor
18	140-6231	Bail kick lever spring
19	570-6821	Bail kick lever
20	363-1501	Bail kick lever screw
21	210-4301	Balancer
22	725-0221	Bail
23	351-6401	Bail holder screw

Key No.	Parts No.	Parts Name
24	141-2801	Bail spring
25	361-6413	Arm lever screw
26	250-2821	Line roller
27	230-8401	Arm lever
28	340-8501	Bail nut
29	370-7516	Rotor washer A
30	371-6400	Rotor washer B
31	700-5407	Body
32	371-6426	Pinion washer
33	403-2401	Pinion gear
34	414-1601	Drive gear
35	370-7500	Drive gear washer
36	062-7402	Body cover
37	111-3501	Anti-reverse claw
38	144-0001	Anti-reverse claw spring
39	351-6102	Anti-reverse claw screw
40	461-2201	Anti-reverse cam
41	150-1751	Anti-reverse lever washer
42	540-3711	Anti-reverse lever
43	350-1931	Anti-reverse lever screw
44	351-8501	Body cover screw
45	746-4001	Handle

*Not sold separately. See Spool Assembly.