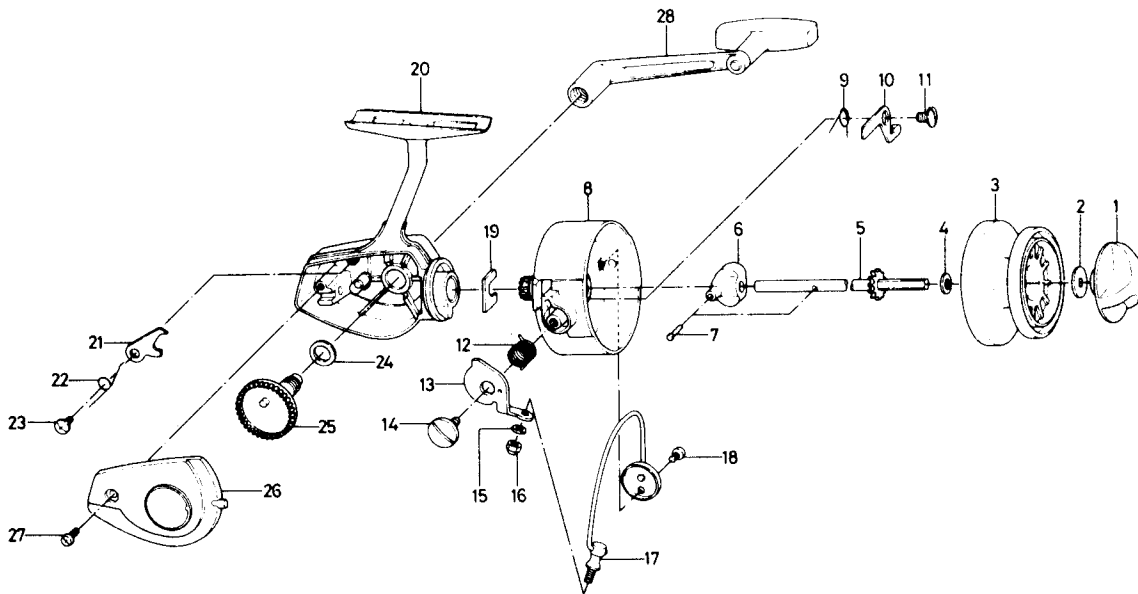


SPINNING REEL 402A



Key No.	Parts No.	Parts Name	Key No.	Parts No.	Parts Name
1	441-3501	Drag knob	15	160-0121	Bail washer
2	374-7901	Drag washer	16	341-9902	Bail nut
3	730-8001	Spool	17	725-6701	Bail
4	374-6400	Spool washer	18	352-0402	Bail holder screw
5	711-1501	Main shaft	19	632-4011	Pinion retainer
6	480-5101	Oscillating slider	20	700-8403	Body
7	490-4411	Oscillating slider pin	21	111-5501	Anti-reverse claw
8	736-3803	Rotor	22	141-6111	Anti-reverse claw spring
9	142-5711	Bail kick lever spring	23	350-1931	Anti-reverse claw screw
10	570-6511	Bail kick lever	24	373-0100	Drive gear washer
11	352-1101	Bail kick lever screw	25	412-8901	Drive gear
12	140-9231	Bail spring	26	706-3804	Body cover
13	231-1001	Arm lever	27	351-6401	Body cover screw
14	362-3411	Arm lever screw	28	746-4801	Handle