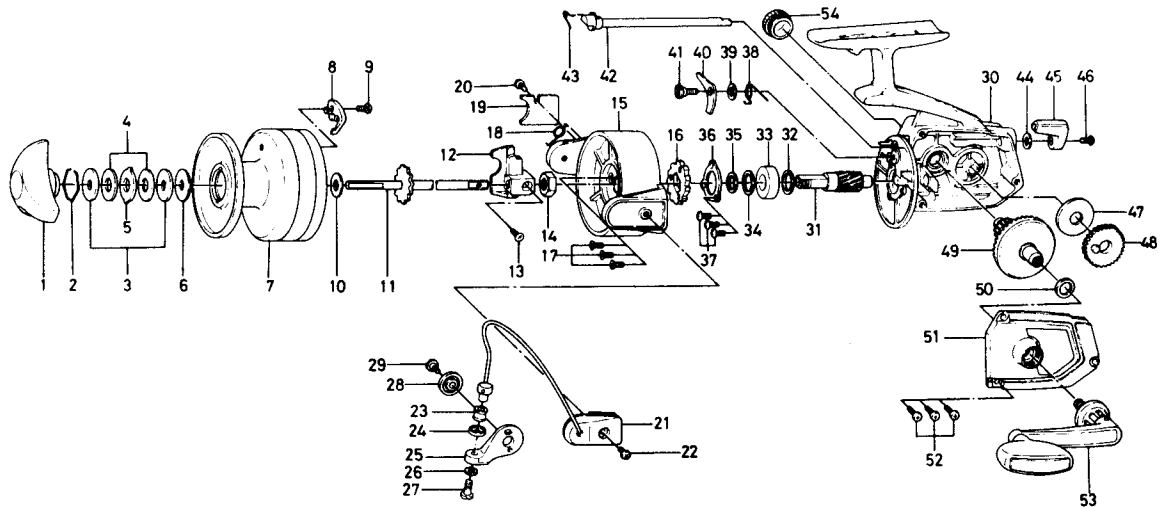


SPINNING REEL 400RL



KEY NO. 2 ~ 9
734-0302

SPOOL ASSEMBLY

Key No.	Parts No.	Parts Name
1	000-8241	Drag knob
2	170-4511	Drag washer retainer
3	372-7812	Drag D washer
4	372-9011	Disc washer
5	375-5401	Drag A washer
6	372-7701	Drag washer A
7	734-0402	Spool
8	030-4411	Spool click claw
9	351-6102	Spool click claw screw
10	376-1701	Spool washer
11	710-2214	Main shaft
12	481-1011	Oscillating slider
13	351-8901	Oscillating slider screw
14	B10-5701	Rotor nut
15	201-2223	Rotor
16	280-4101	Ratchet
17	352-0901	Ratchet screw
18	145-1201	Bail spring
19	633-0701	Bail spring cover
20	351-1801	Bail spring cover screw
21	725-1219	Bail
22	351-6401	Bail holder screw
23	250-4321	Line roller
24	501-2001	Roller collar
25	231-1901	Arm lever
26	375-1101	Bail washer
27	363-3111	Bail screw

Key No.	Parts No.	Parts Name
28	130-3201	Bail holder cap
29	363-1901	Arm lever screw
30	B38-5501	Body
31	402-4611	Pinion gear
32	371-2822	Pinion adjusting washer
33	636-2611	Shaft metal
34	371-2822	Pinion washer B
35	372-8600	Pinion washer A
36	634-7011	Pinion collar ret. washer
37	351-6601	Pinion collar ret. washer screw
38	142-3421	Anti-reverse claw spring
39	373-2701	Anti-reverse claw washer
40	110-9701	Anti-reverse claw
41	362-4211	Anti-reverse claw screw
42	710-6111	Anti-reverse cam
43	144-0321	Anti-reverse cam spring
44	373-2700	Anti-reverse lever washer
45	541-1902	Anti-reverse lever
46	352-2501	Anti-reverse lever screw
47	374-5400	Oscillating gear washer
48	412-3611	Oscillating gear
49	413-8501	Drive gear
50	371-2800	Drive gear washer
51	B38-5601	Body cover
52	351-8501	Body cover screw
53	747-1502	Handle
54	363-7401	Handle screw cap