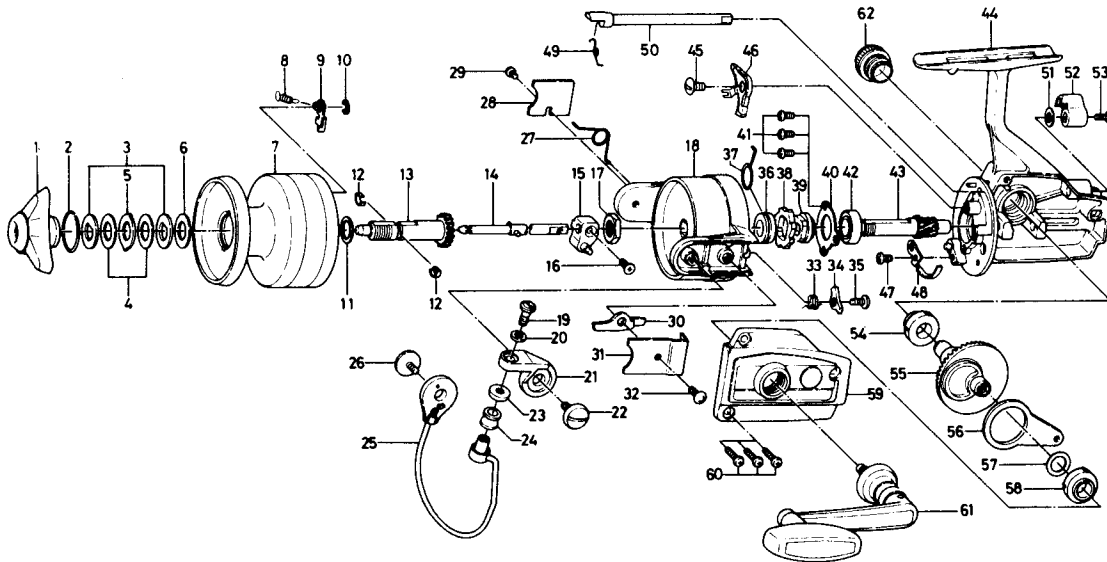


SPINNING REEL 2600X & 2600XSC



SPECIAL PARTS FOR 2600XSC 6-280-9602

RATCHET

Key No.	Parts No.	Parts Name
1	740-4401	Drag knob
2	170-4601	Drag washer retainer
3	376-4001	Drag D washer
4	375-7802	Disc washer
5	375-8002	Drag A washer
6	375-7803	Drag washer A
7	734-6303	Spool
8	145-2101	Spool click claw spring
9	B07-8201	Spool click claw
10	320-1402	Spool click claw retainer
11	376-3901	Spool washer
12	151-9501	Spool metal leaf spring
13	720-3101	Spool metal
14	711-5501	Main shaft
15	637-3001	Oscillating support
16	351-8901	Oscillating slider screw
17	340-8301	Rotor nut
18	202-1614	Rotor
19	363-3111	Bail screw
20	375-1101	Bail washer
21	231-3501	Arm lever
22	363-5201	Arm lever screw
23	501-2001	Roller collar
24	250-4321	Line roller
25	725-8513	Bail
26	363-5201	Bail holder screw
27	145-2001	Bail spring
28	041-8801	Bail spring cover
29	351-6101	Bail spring cover screw
30	571-1001	Bail kick lever
31	041-8101	Bail kick lever cover

Key No.	Parts No.	Parts Name
32	351-7701	Bail kick lever cover screw
33	145-0701	Bail kick cam spring
34	571-0901	Bail kick cam
35	351-4701	Bail kick cam screw
36	502-1301	Spring holder
37	145-2901	Anti-reverse claw spring
38	280-9501	Ratchet
39	636-6711	Click gear
40	635-9901	Ball bearing ret. washer
41	351-6601	Ball bearing ret. washer screw
42	635-4801	Ball bearing
43	403-2801	Pinion gear
44	701-5909	Body
45	352-1102	Anti-reverse claw screw
46	B33-5601	Anti-reverse claw
47	351-6601	Cam kick plate screw
48	B22-9901	Cam kick plate
49	144-0321	Anti-reverse cam spring
50	B15-6403	Anti-reverse cam
51	373-2700	Anti-reverse lever washer
52	541-7301	Anti-reverse lever
53	352-2501	Anti-reverse lever screw
54	501-6101	Bearing metal
55	414-2302	Drive gear
56	481-2401	Oscillating slider
57	371-2800	Drive gear washer
58	501-6101	Bearing metal
59	707-0805	Body cover
60	351-5901	Body cover screw
61	748-1001	Handle
62	B16-1201	Handle screw cap